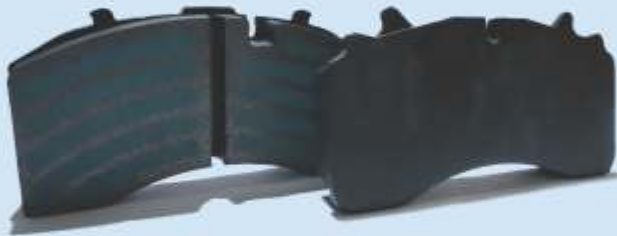




ANSA BRAKES PVT. LTD.

BRAKE PADS



- Low Wear
- Non Squealing & Dust Proof
- High Co-efficient of friction
- Good Recovery in High Temperature
- High Strength & High Abrasion Proof

2019 CATALOGUE



*.....reaching out to the world internationally
for lowest cost & world class quality*



Brake Lining



Brake Rolls



Brake Kit



King Pin

OUR MISSION

Our mission, as a global enterprise is to provide internationally acceptable quality and services to our customers; to generate and fulfill new possibilities in our trade and to create and provide goods and services that produce extraordinary results to our customers.

We promise to be true to our purpose, to accomplish our mission and to operate consistent with our organizational values.

This is who we are. This is why you can count on us.



UCA
unidad de certificación
DEL AUTOMÓVIL

Certificado Nº: / Certificate No: E1 47311833

**CERTIFICADO EVALUACIÓN INICIAL
INITIAL ASSESSMENT CERTIFICATE**

El presente certificado acredita que: / The following certificate attests that:

ANSA BRAKES PRIVATE LIMITED
Plot No.C-20, Phase-II, Noida, Distt.G.B.
201305, Nagar, UTTAR PRADESH (INDIA)

dispone de un sistema de gestión de calidad y de los procedimientos y planes de conformidad de la producción adecuados para garantizar el cumplimiento con los requisitos del: / has a quality management system and the conformity of production procedures and plans in compliance with the requirements of:

• Anexo 1 del acuerdo E/CE/TRANS/505/Rev.3
Schedule 1 of the Agreement E/CE/TRANS/505/Rev.3

Alcance / Scope: Ver Anexo 1 / See Annex 1

El certificado se emite como consecuencia del expediente 47311833, correspondiente a la auditoría realizada el 06 de diciembre de 2018.
The certificate is issued as a result of the 47311833 file, related to the audit carried out the 06th of December 2018.

Fecha 1ª emisión: / 1st Issue Date: 12.12.2018 / 2018.12.12
Válido hasta: / Valid until: 12.12.2020 / 2020.12.12

UCA
CERTIFICADO
unidad de certificación del automóvil
D. José Mª Martínez Vélazquez
Director

Presente diplomado por
RESOLUCIÓN 2208/2018
SECRETARÍA DE ESTADO
INDUSTRIA, TURISMO Y
COMERCIO EXTERNO
Fecha: 22/09/2018 16:45

El presente certificado puede ser verificado en el portal de Certificación del Automóvil: www.uca-certification.com, mediante el Código QR adjunto.
This certificate can be verified on the website of Certification of the Automobile: www.uca-certification.com through the QR code attached.

FUNDACIÓN PARA EL FOMENTO DE LA INNOVACIÓN INDUSTRIAL
C/ José Gutiérrez Abascal, 2, 28014 Madrid - CP: 28014-4021

UKcert
Certification & Inspection

Certificate of Registration

This is to certify that the
Quality Management System
of
ANSA BRAKES PVT. LTD.
at
REGD. ADD- 1C/13 RAJNIGANDHA BUILDING, NEW
ROHTAK ROAD, KAROL BAGH, NEW DELHI-110005, INDIA.
WORK- PLOT NO-C 20, PHASE-II, NOIDA, UTTAR PRADESH-201305,
INDIA,

has been independently assessed and
is compliant with the requirements of:

ISO/TS 16949:2016
For the following scope of activities:

**MANUFACTURING & MARKETING OF BRAKE SHOE AND FRICTION
MATERIAL (INCLUDING OF BRAKE LINING, BRAKE PAD &
BRAKE ROLLS).**

Certificate Number: UQ-18268

Validity of this certificate can be verified at www.ukcertifications.co.uk/verify

Date of Certification: 01st September 2018
1st Surveillance Audit Due: 31st August 2019
2nd Surveillance Audit Due: 31st August 2020
Certificate Expiry (subject to the company maintaining its
system to the required standard): 31st August 2021

David
Authorised Signatory

The certificate is the property of UK Certification & Inspection Limited and shall be returned immediately on request.
177 Station Street, Crown Point, London, WC2R 9NS, United Kingdom
Website: www.ukcertifications.co.uk, email: info@ukcertifications.co.uk
Company No: 5017967

BM/CERT
Quality Assessors

CERTIFICATE OF REGISTRATION

This is to certify that the
Quality Management System of
ANSA BRAKES PVT. LTD.
1C/13 RAJNIGANDHA BUILDING, NEW ROHTAK ROAD, KAROL
BAGH, NEW DELHI-110005, INDIA,
has been assessed and approved
in accordance with the guidelines of
ISO 9001:2015
for the following areas:

**MANUFACTURING & MARKETING OF BRAKE SHOE
AND FRICTION MATERIAL
(INCLUDING OF BRAKE LINING, BRAKE PAD & BRAKE ROLLS)**

Certified Location:
REGD. ADD- (C/13) RAJNIGANDHA BUILDING, NEW ROHTAK ROAD, KAROL
BAGH, NEW DELHI-110005, INDIA.
WORK- PLOT NO-C 20, PHASE-II, NOIDA, UTTAR PRADESH-201305, INDIA.

Validity of this certificate can be verified at www.bmcert.org/verify

Director *Director*

Date of Certification: July 03, 2018
1st Surveillance Audit Due: July 04, 2019
2nd Surveillance Audit Due: July 04, 2020
Recertification Due: July 04, 2021

Q-520218
Certificate No.

IAF **OAC** **BM/CERT** **UKAS**

117, Aggarwal Modern Bazar, C-35, Lawrence Road, Delhi-15, India
Ph: +91-011-0801017, +91-011-0111805, Website: www.bmcert.org, email: info@bmcert.com

Greening **Greening Testing Laboratories, Inc.**
14451 St. 33rd Avenue
Detroit, Michigan 48234-2742 USA
Phone: +1 313 366-7100 Fax: +1 313 366-7419
www: info@greening-labs.com web: www.greening-labs.com

03 March 2019

Ansa Brakes (Pvt) Ltd.
D-45, Sector-10,
Noida
India

Attention:
Reference: SAE J2115, Section 6 (FMVSS 121) Test Results

With regard to the above captioned item, we offer the following comments with regard to the SAE J2115 (AUT02006), Section 6 "FMVSS 121 Based Dynamometer Test". The test protocol criteria are outlined in Appendix A of the test procedure and are based upon the performance requirements of U.S. Federal Regulation 49CFR571.121 Sec. 571.121 Standard No. 121. Please be aware that the Regulation has differing performance "pass/fail" requirements based upon the type of vehicle onto which the brake friction materials are fitted, and consequently any judgment of performance must take these differences into account.

Comments offered below are for the benefit of the above named client and are specific to the below captioned test report. Any inferences or conclusions derived regarding the performance of the parts tested relative to the suitability of the said parts for use on motor vehicles are the responsibility of the client, and not that of Greening Testing Laboratories, Inc.

The documentation of the test conducted and test procedure is supported by
Greening Testing Laboratories, Inc. Test Report 190494-1

Paragraph 55.4.1 - Brake Retardation: meets requirements; minimum pass margin approximately 48.1%

Paragraph 55.4.2 - Brake Power: meets requirements; maximum pressure = 57.8 MPa (9 +0, -1.5) (acceleration, < 100 MPa)

Paragraph 55.4.3 - Recovery: meets requirements; maximum pressure = 58.9 MPa (12 +0, -0.5) (acceleration, < 65 MPa)

Item Friction Material: ANSA REF NO 4555V 2D LRP

Discs: Width 168/15
Brake Type and Size: Motor V,
Axle Load: 23000 lb
Steer Loaded Radius: 19.6 inches
Air Chamber Size: Type 26 long stroke
Shock Adjuster Length: 5.5 inches

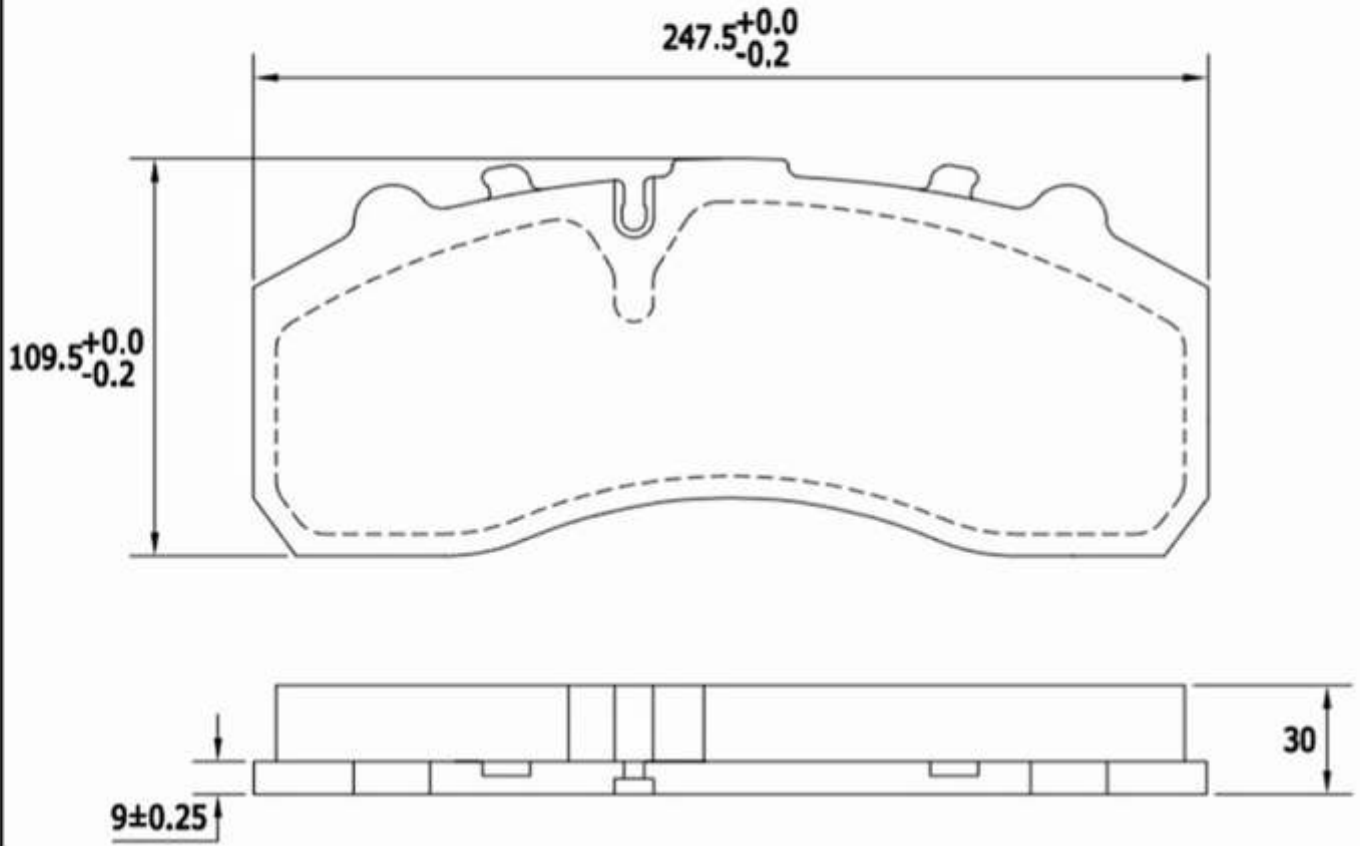
Manufacturer: Ansa Brakes (Pvt) Ltd.

If you require any additional information, please do not hesitate to contact us.

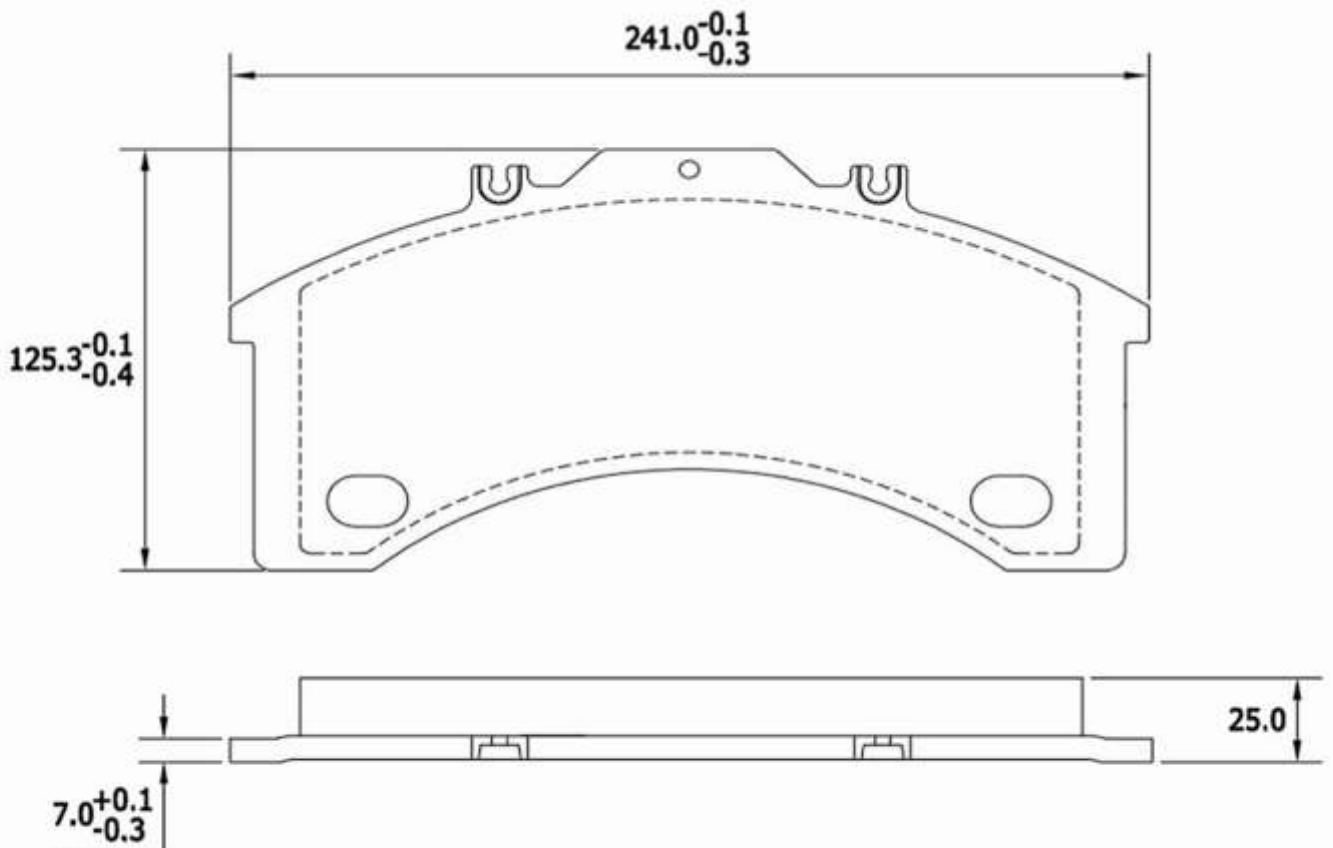
Very truly yours,
Charles W. Greening, Jr.
Charles W. Greening, Jr.

SPECIALIZED DYNAMIC TESTING OF VEHICLE BRAKE SYSTEMS, FRICTION MATERIALS, FLUIDS AND LUBRICANTS

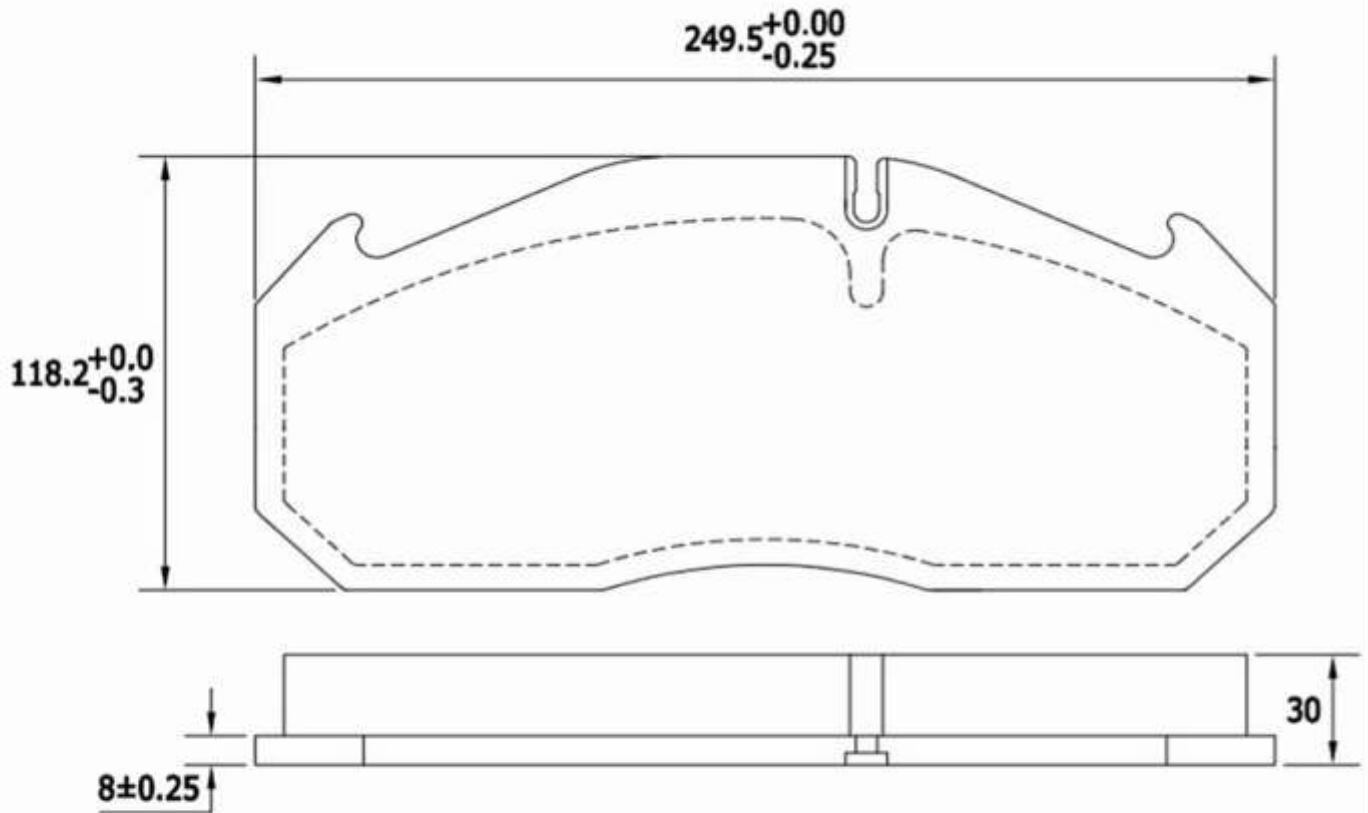
1. Reference Part no:- ABPL-1174 / WVA-29087



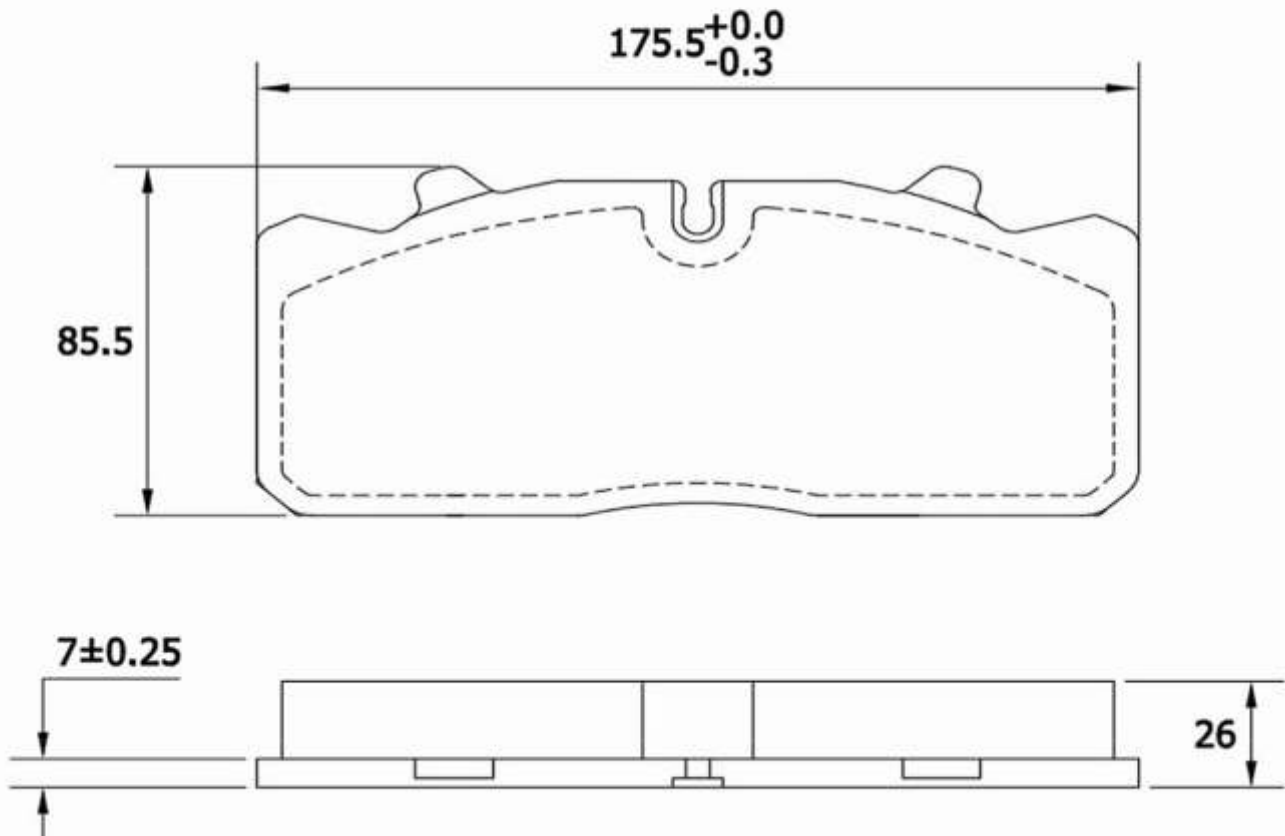
2. Reference Part no:- ABPL-1122 / WVA-29011



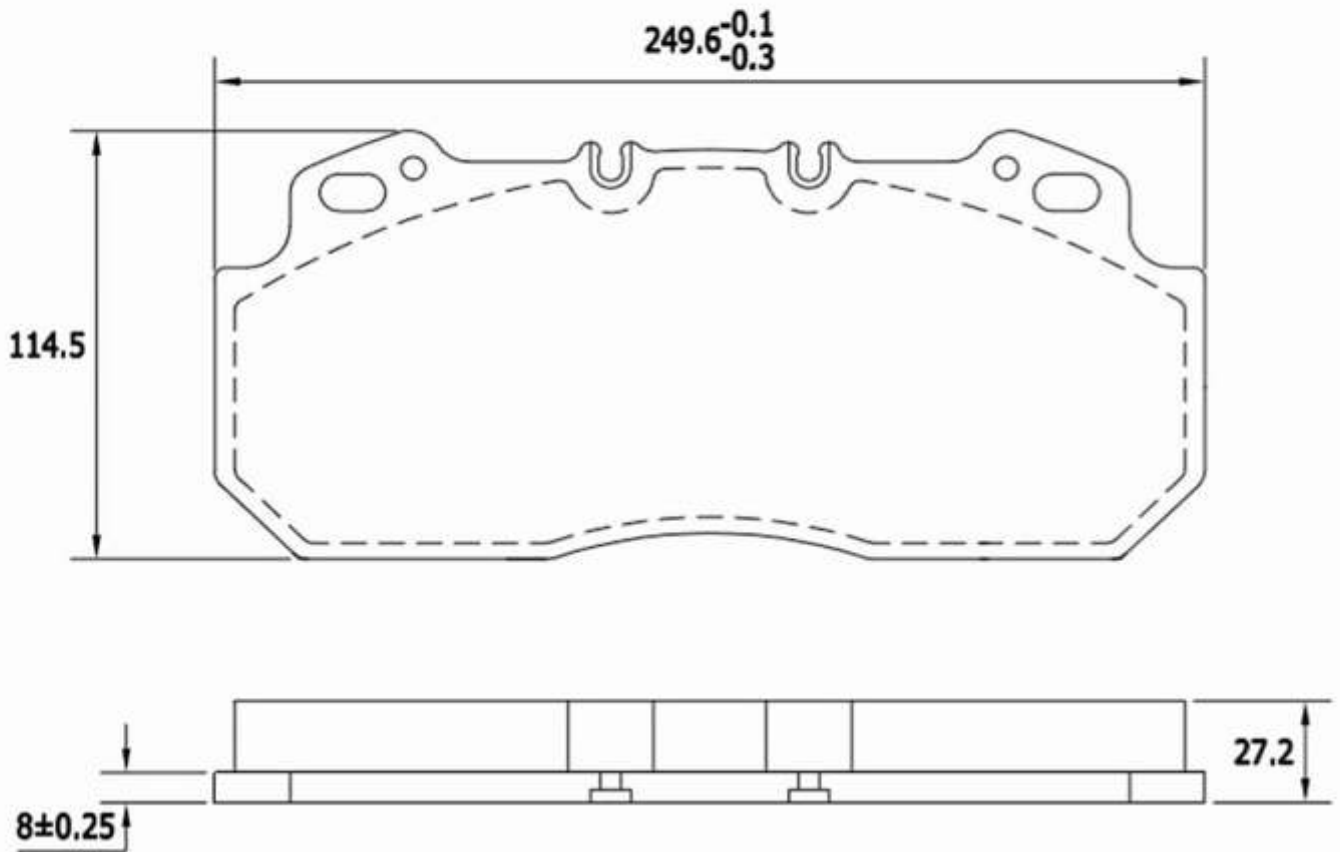
3. Reference Part no:- ABPL-1160 / WVA-29030



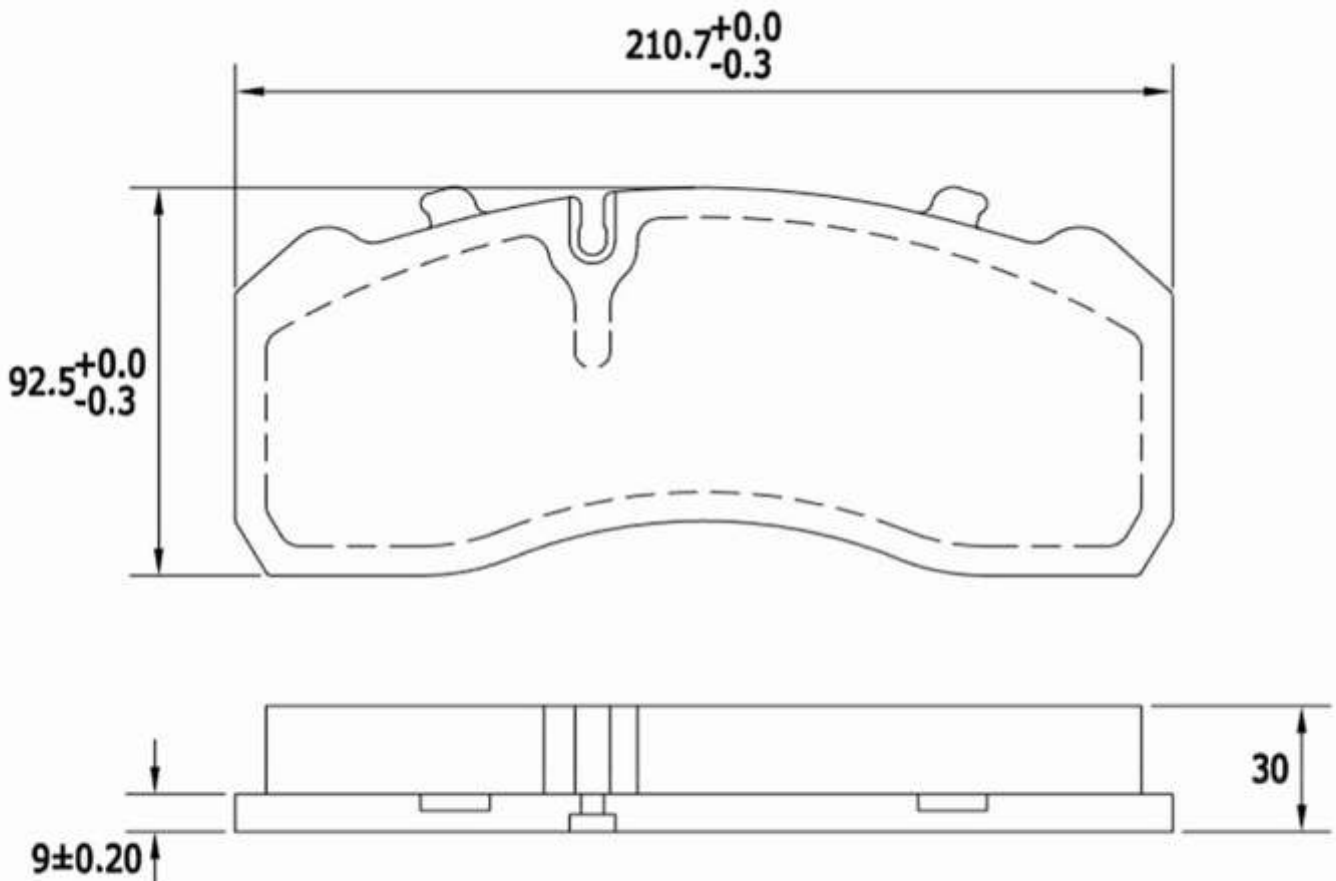
4. Reference Part no:- ABPL-1176 / WVA-29088



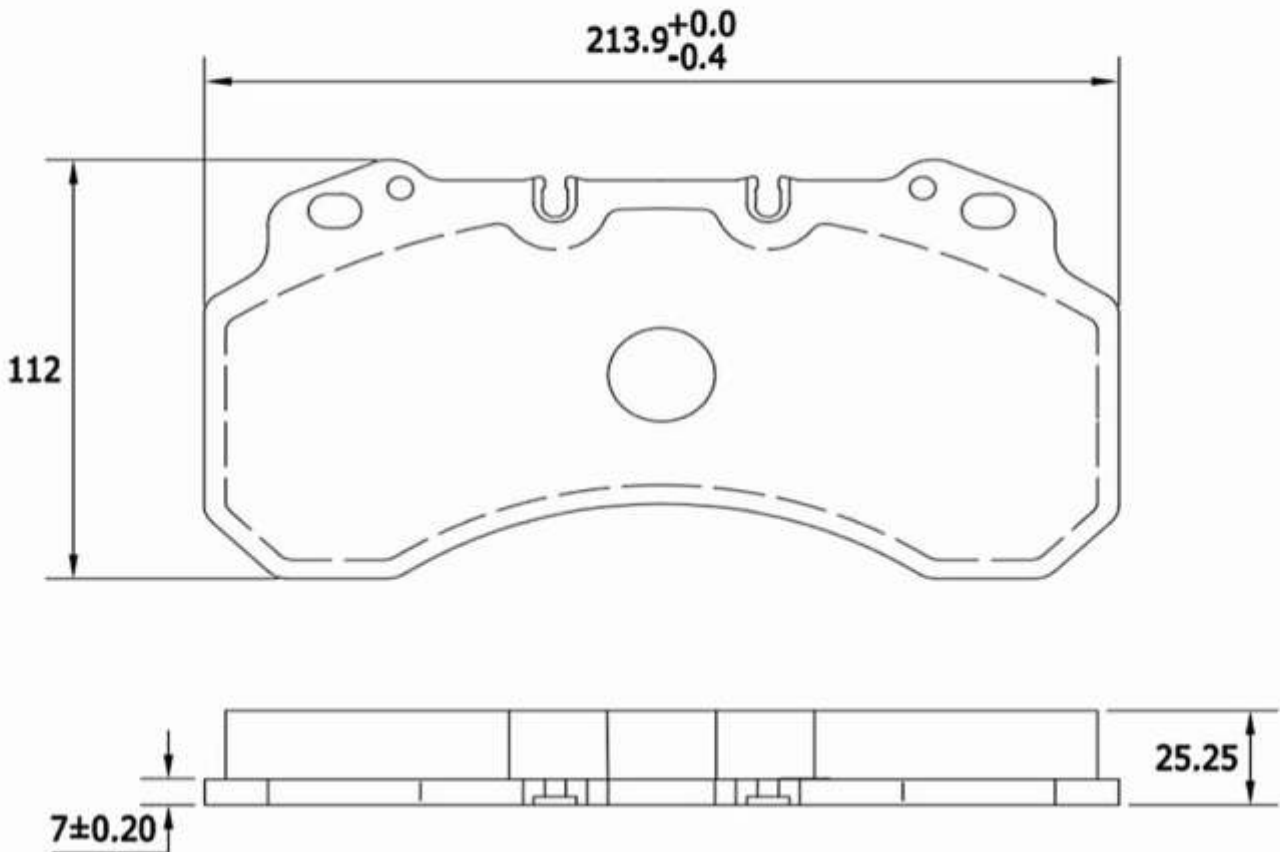
5. Reference Part no:- ABPL-1180 / WVA-29090



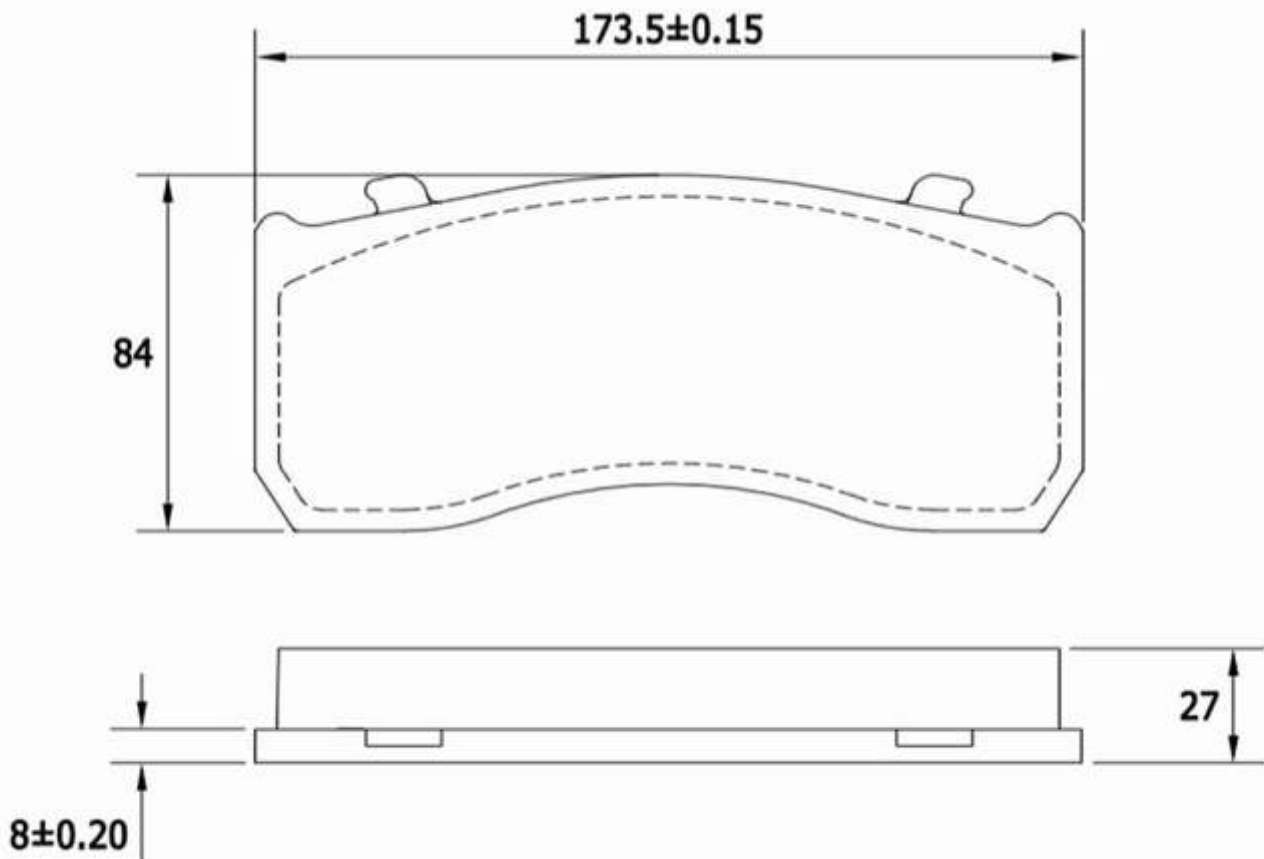
6. Reference Part no:- ABPL-1186 / WVA-29093 / 29095



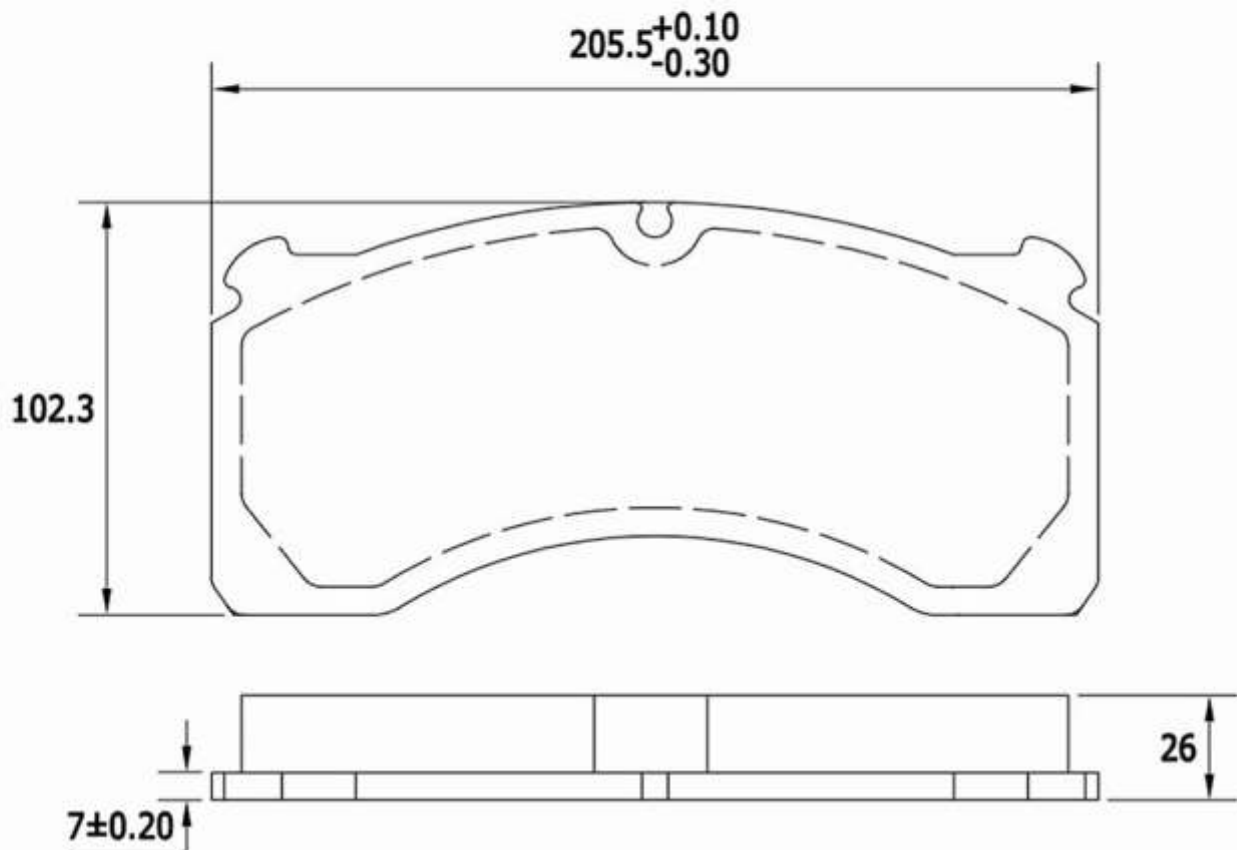
7. Reference Part no:- ABPL-1198 / WVA-29099 / 29100



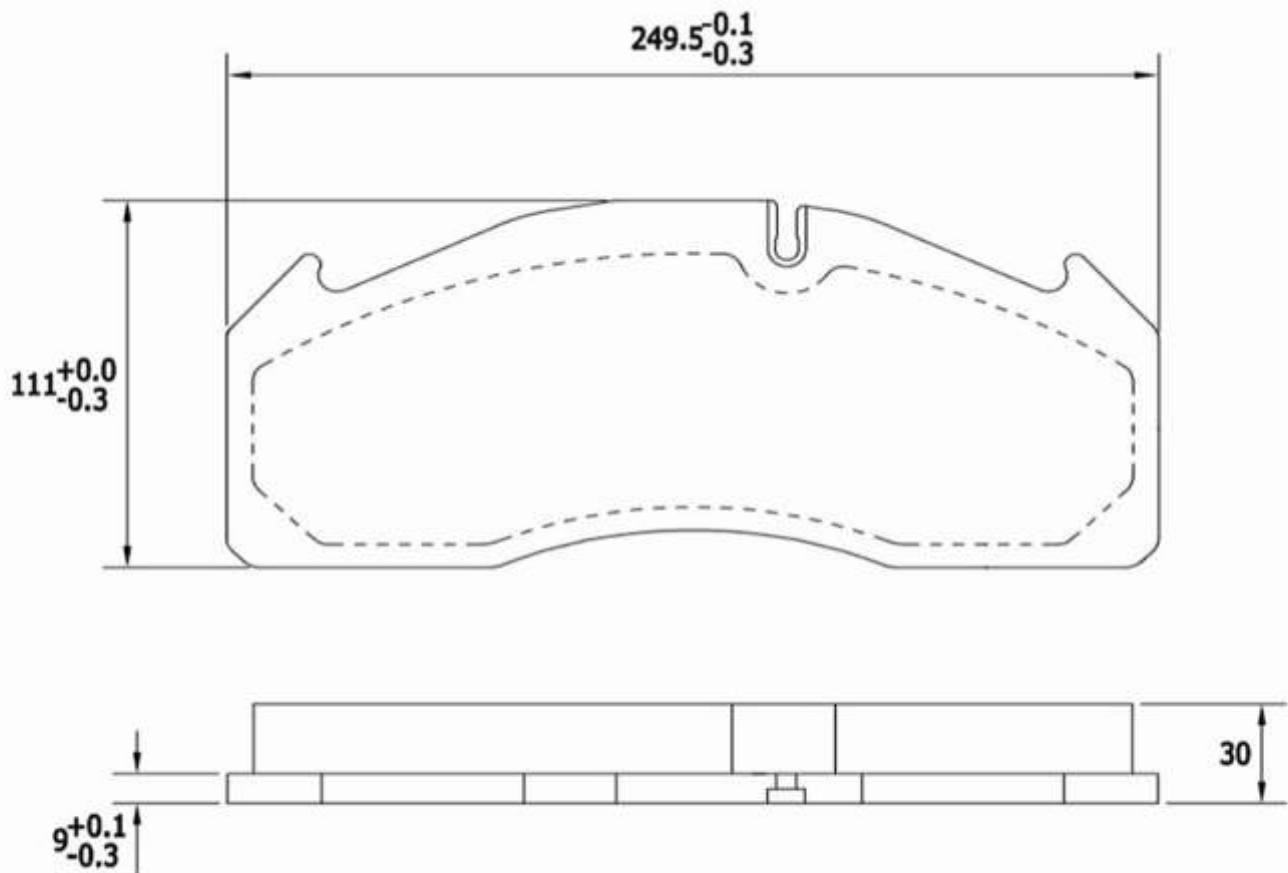
8. Reference Part no:- ABPL-1230 / WVA-29115



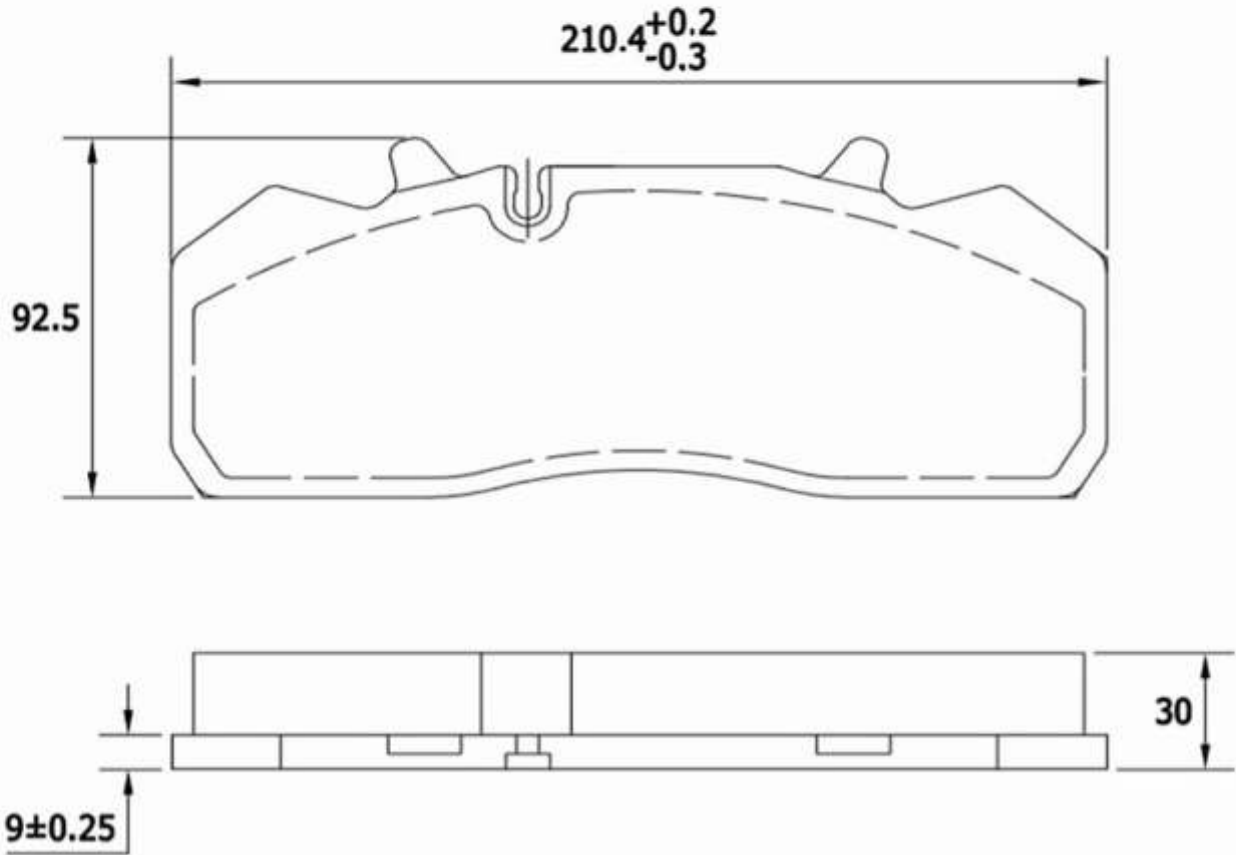
9. Reference Part no:- ABPL-1248 / WVA-29124



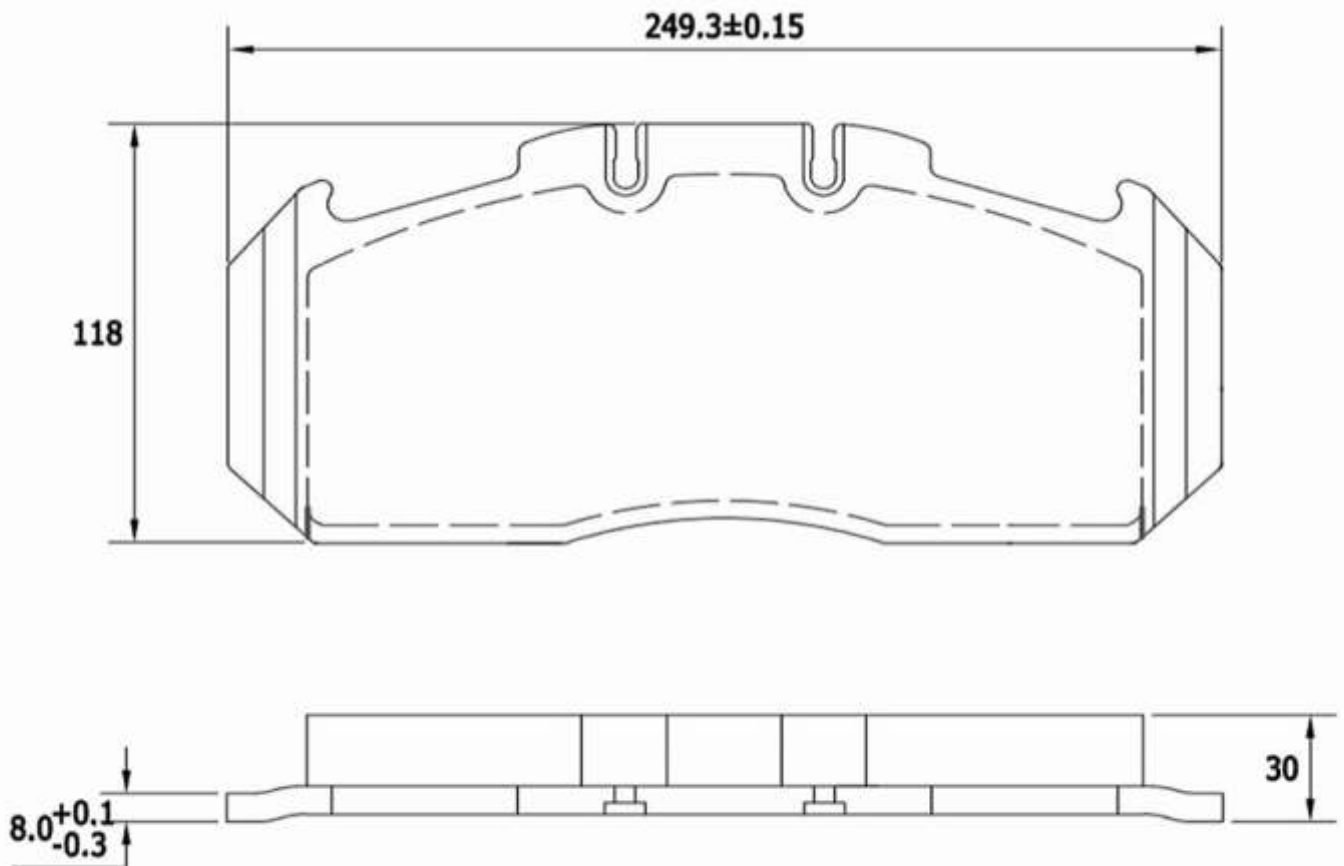
10. Reference Part no:- ABPL-1150 / WVA-29125



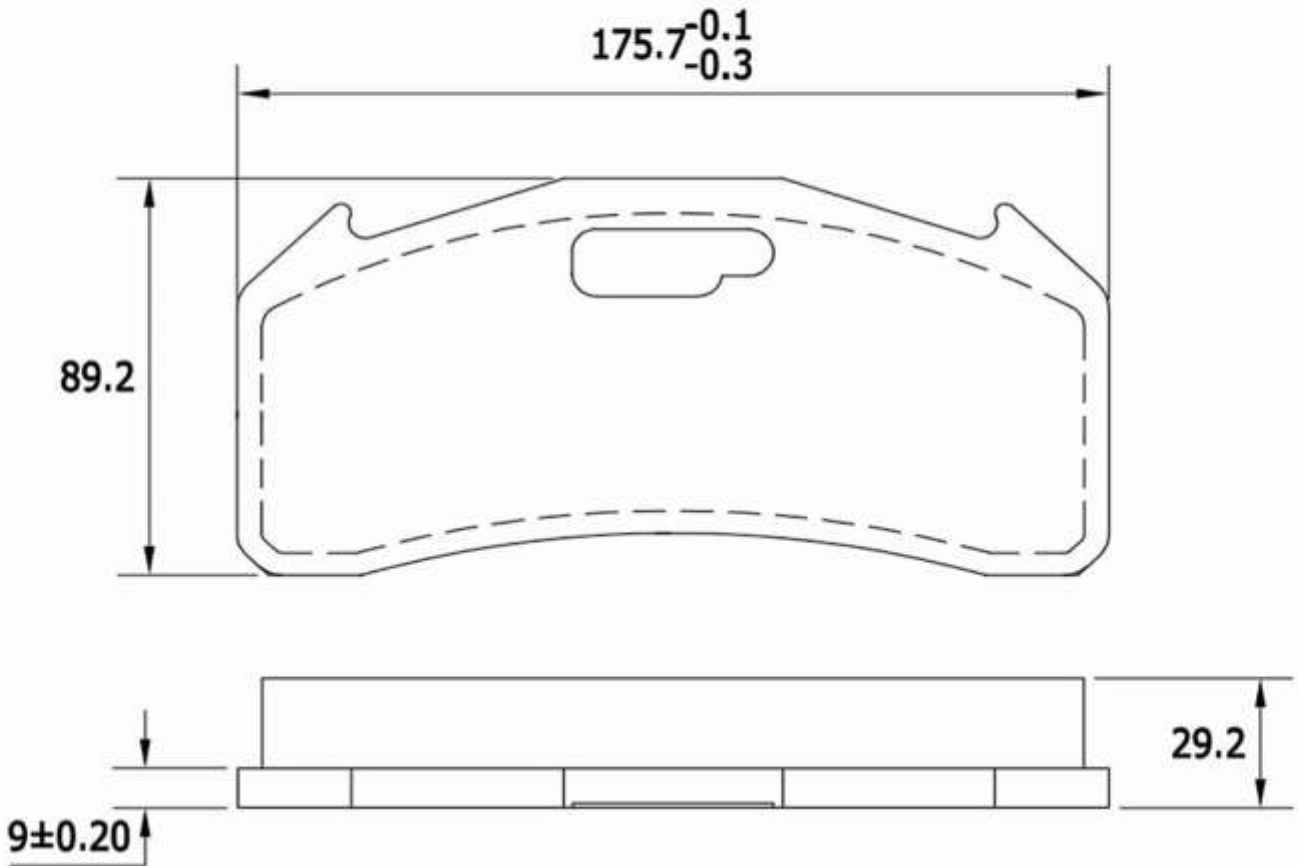
11. Reference Part no:- ABPL-1152 / WVA-29126



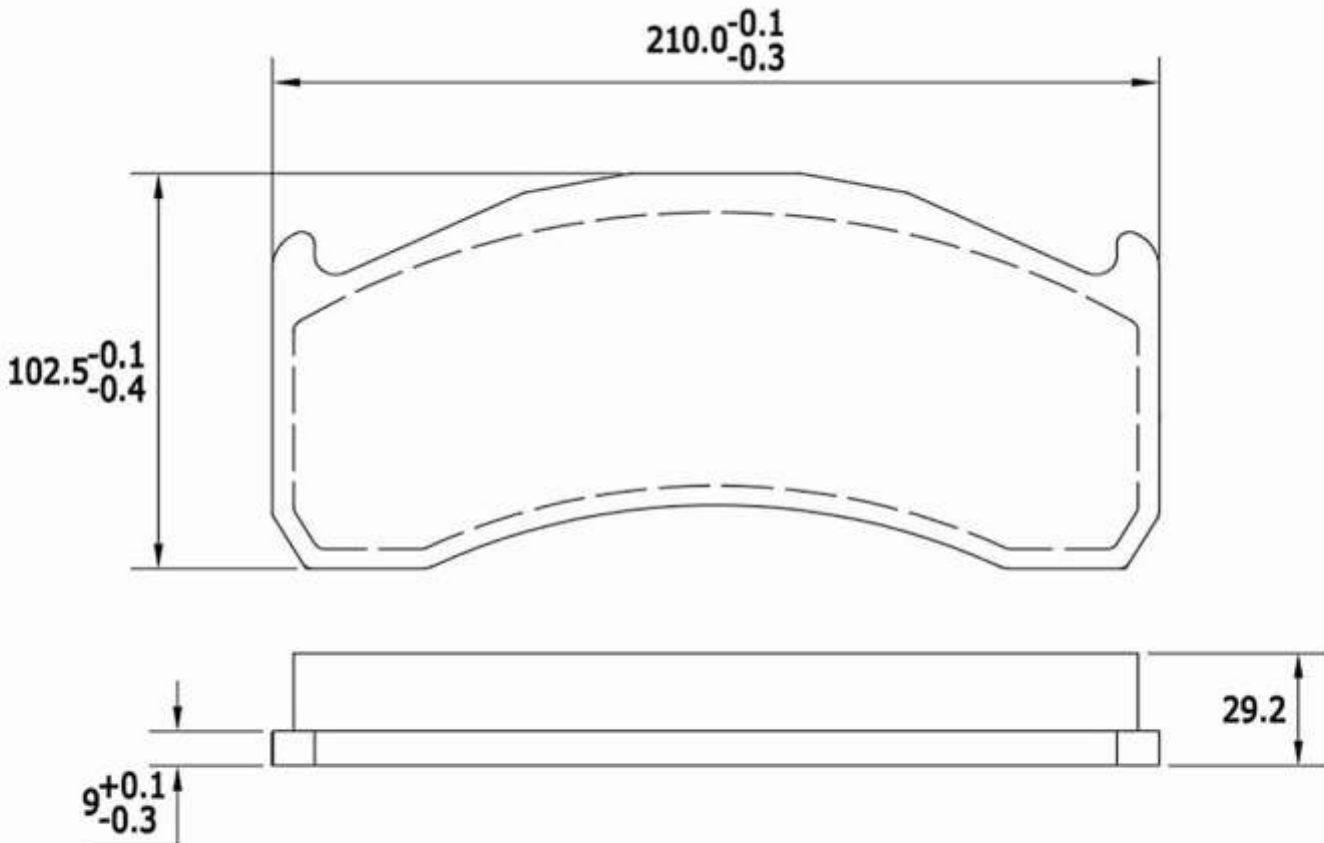
12. Reference Part no:- ABPL-1262 / WVA-29131



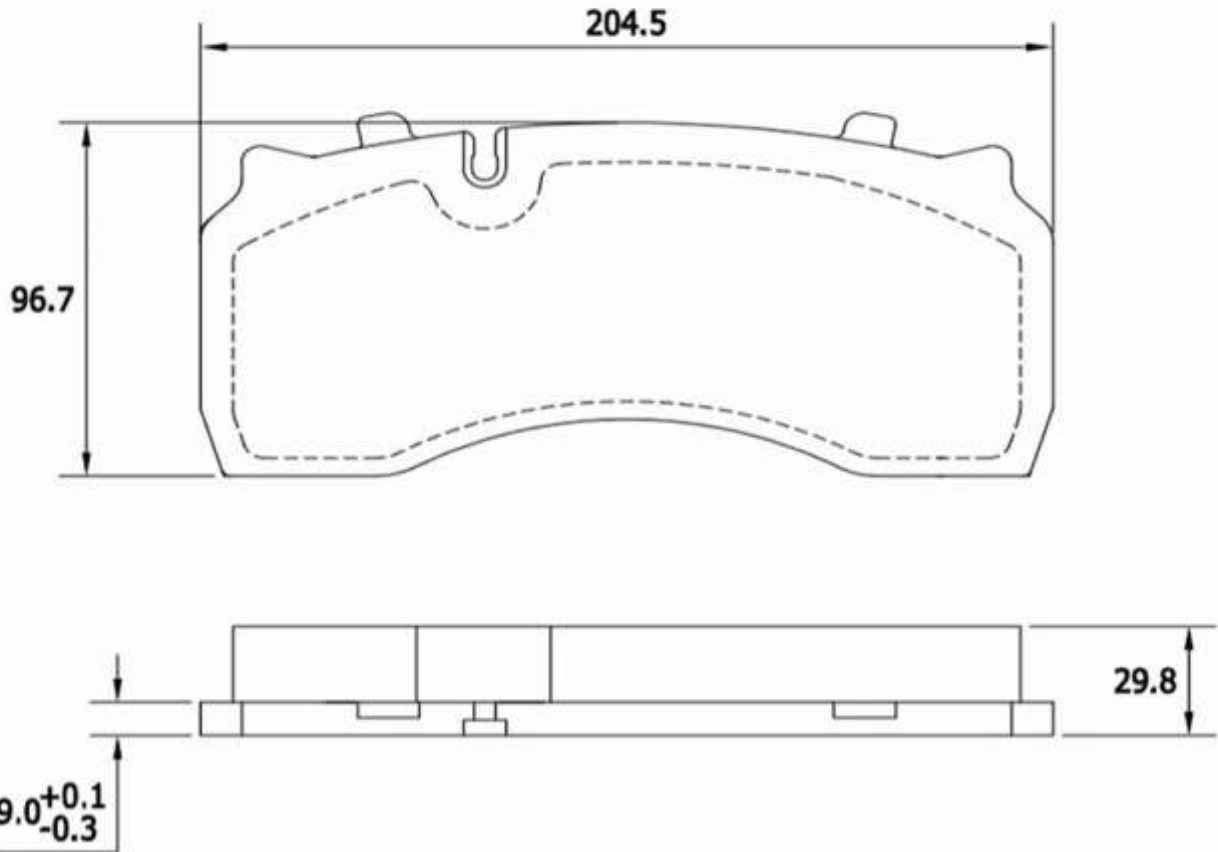
13. Reference Part no:- ABPL-1172 / WVA-29136



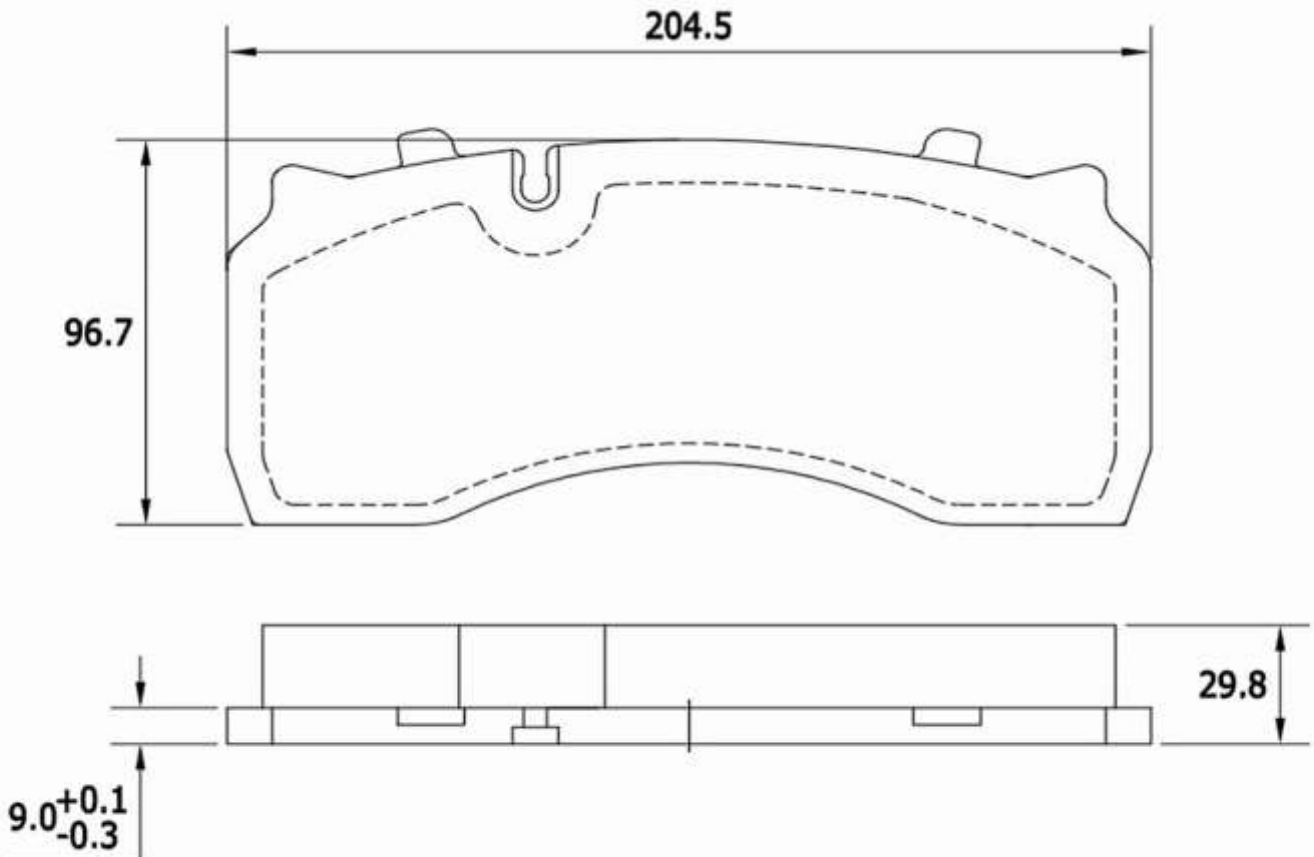
14. Reference Part no:- ABPL-1274 / WVA-29137



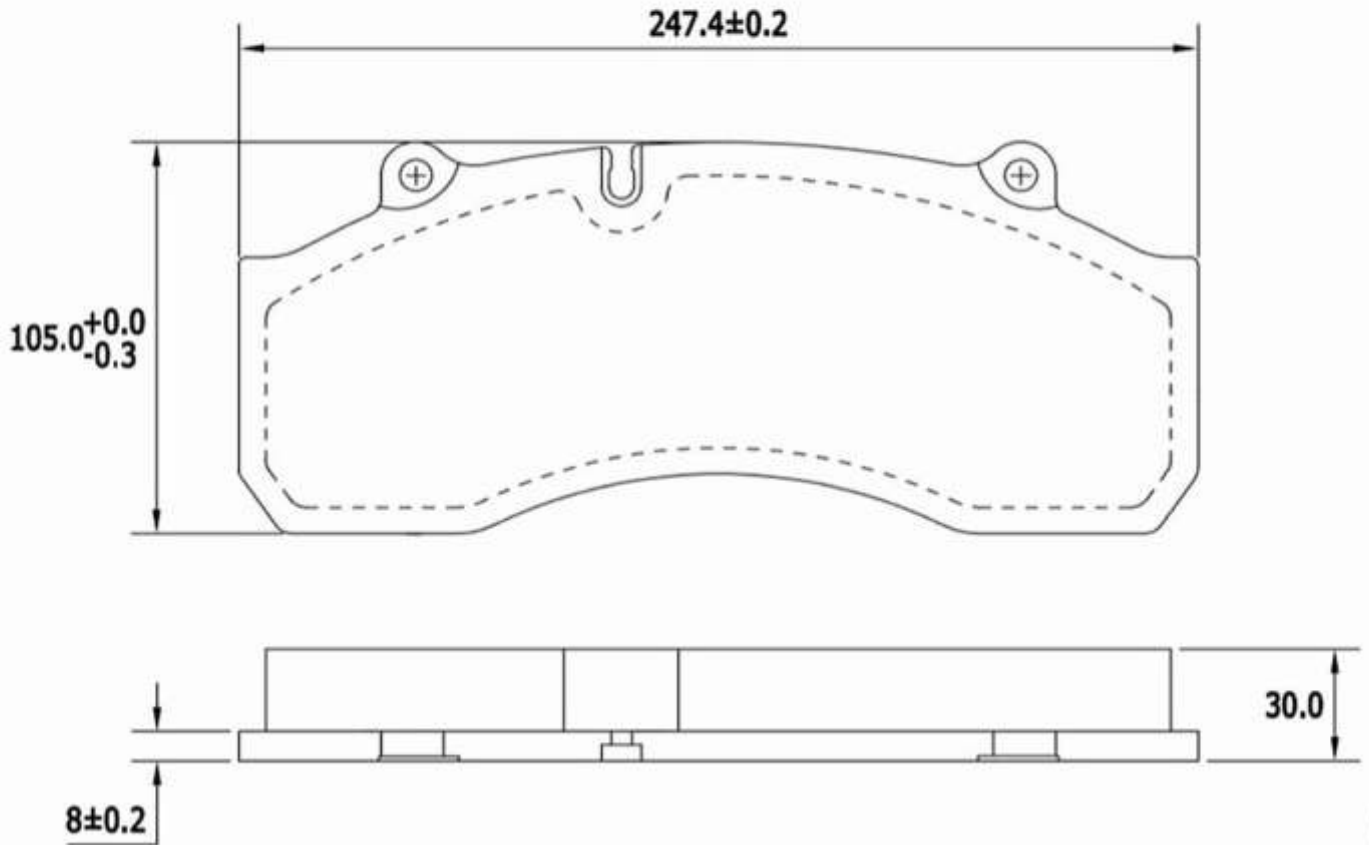
15. Reference Part no:- ABPL-1182 / WVA-29141



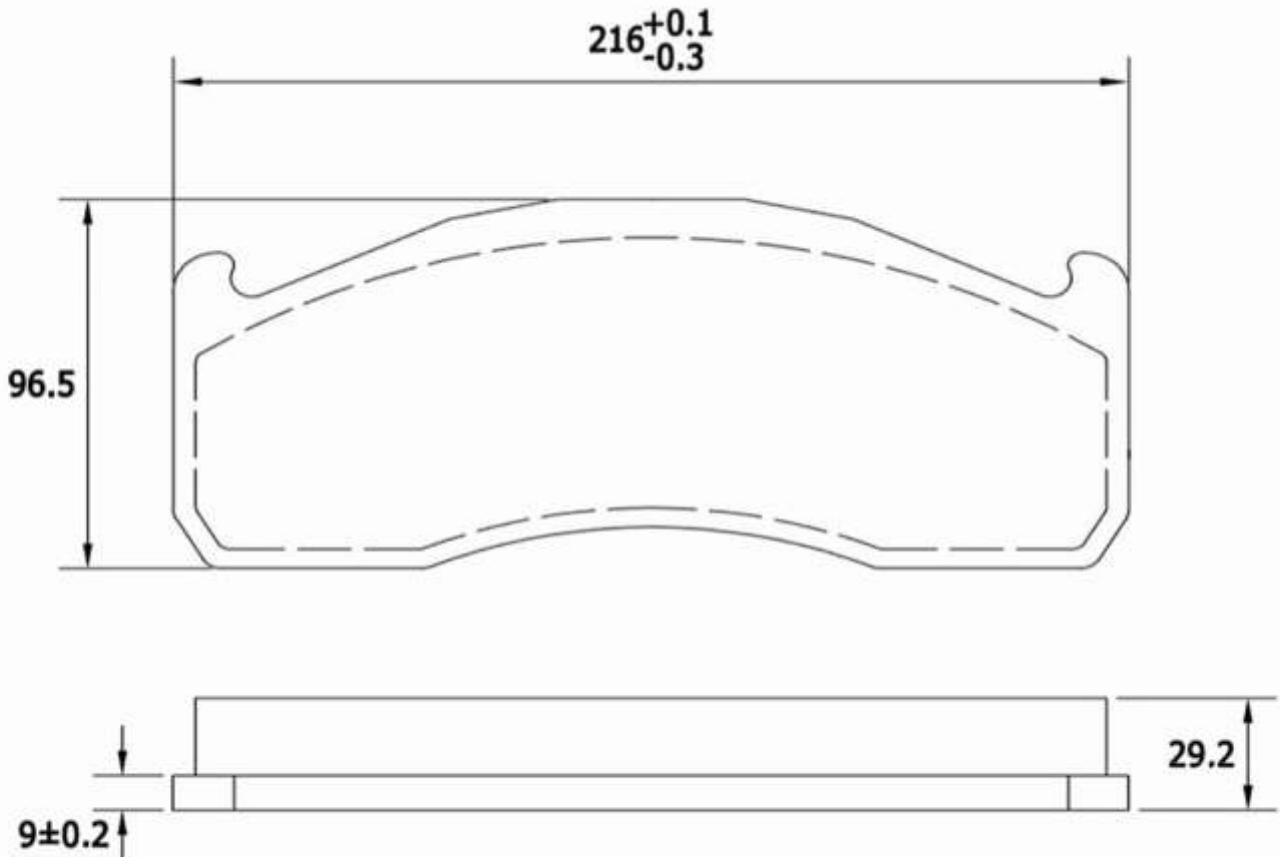
16. Reference Part no:- ABPL-1184 / WVA-29142



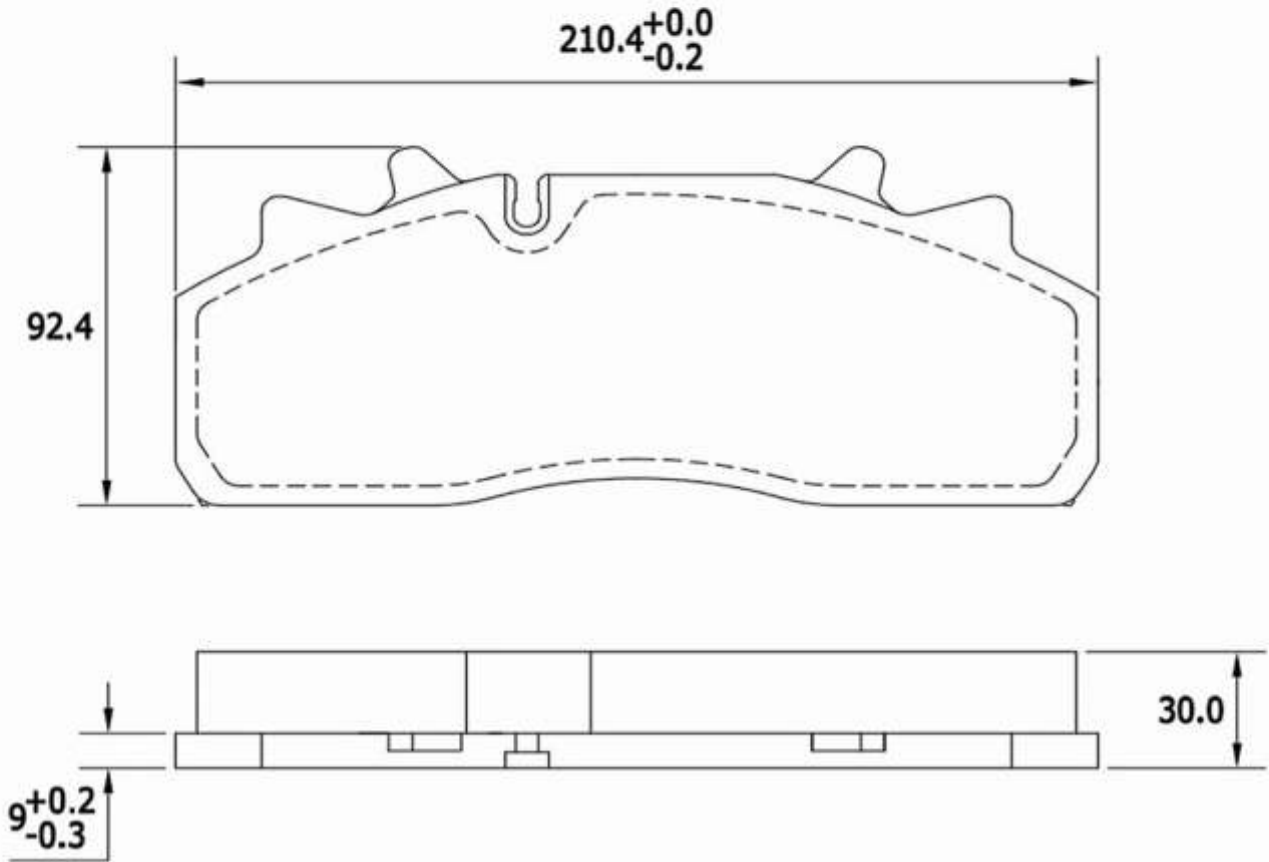
17. Reference Part no:- ABPL-1286 / WVA-29143



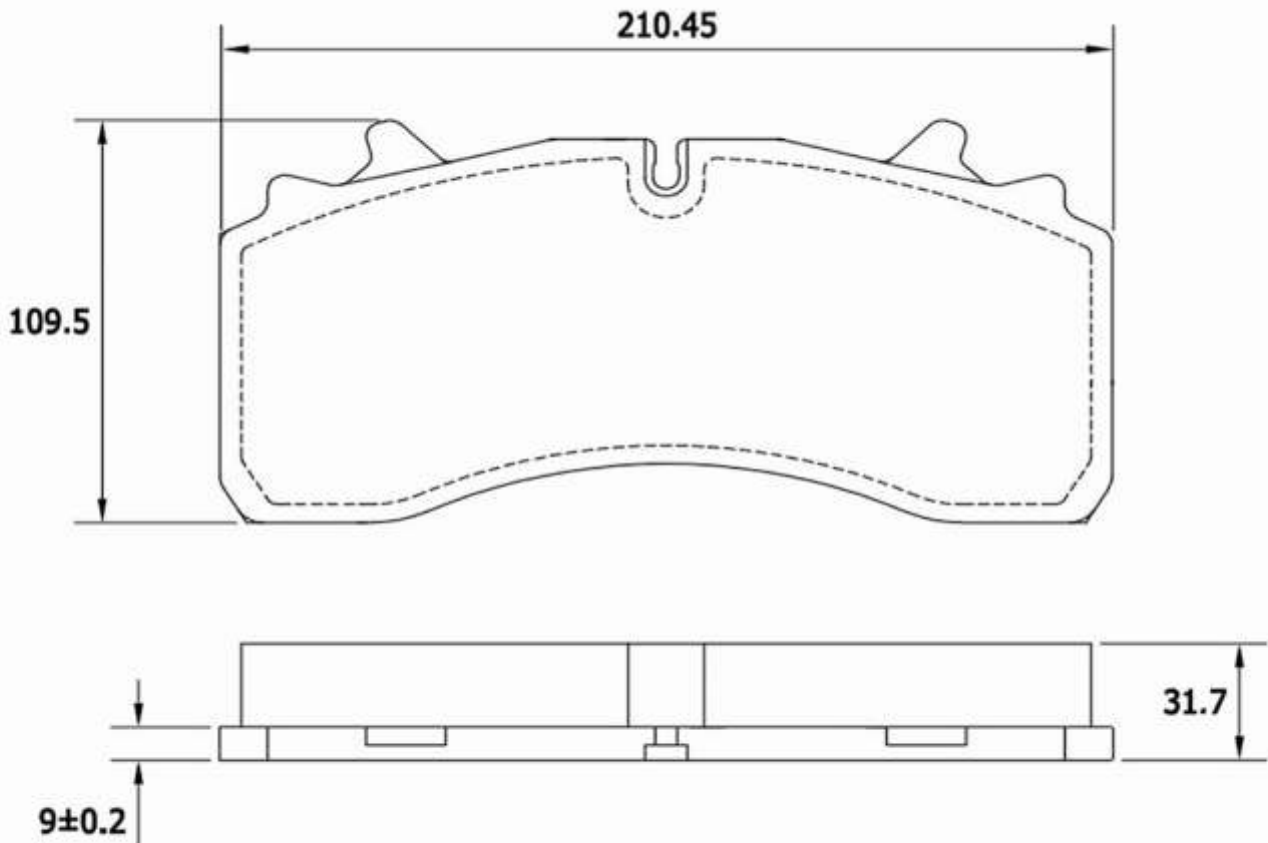
18. Reference Part no:- ABPL-1102 / WVA-29151



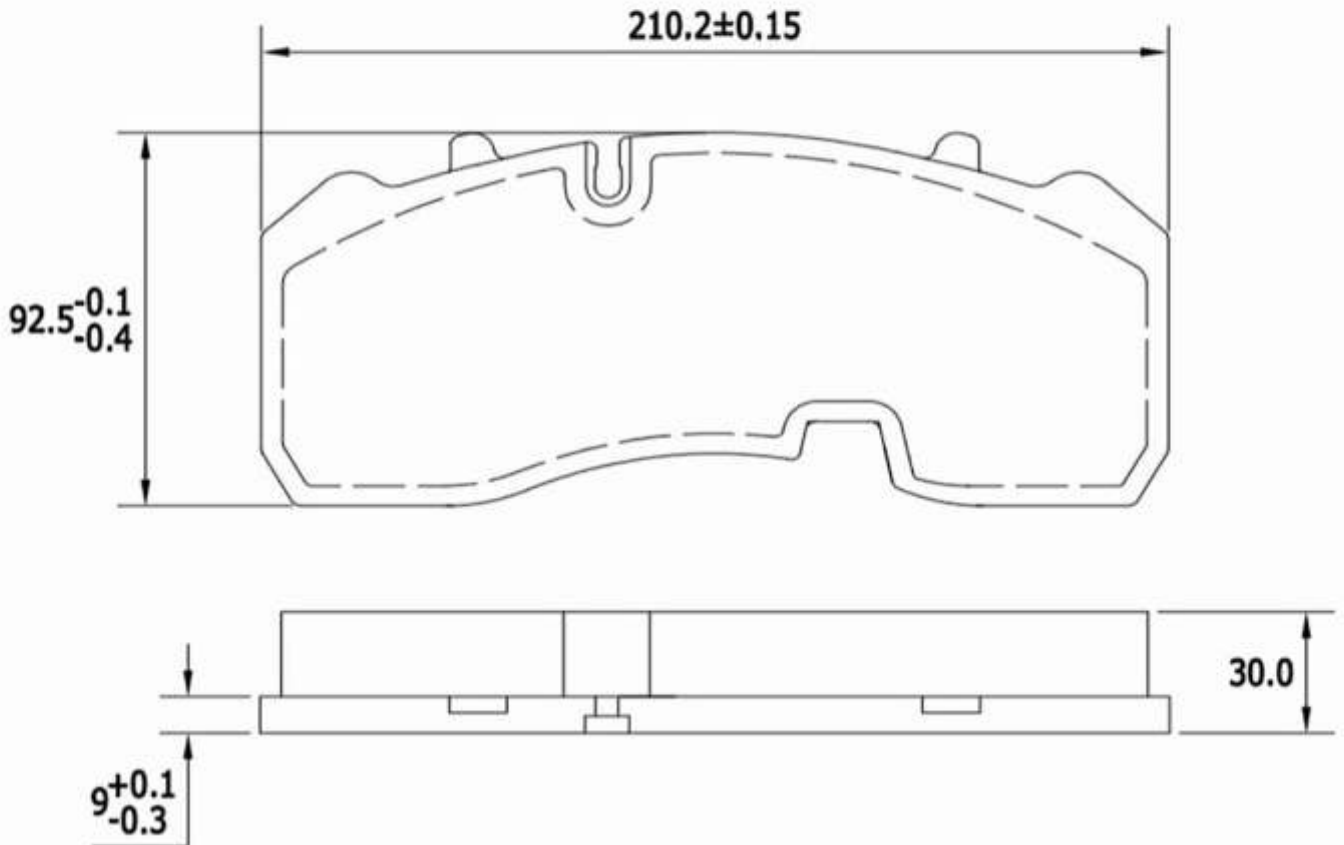
19. Reference Part no:- ABPL-1118 / WVA-29159



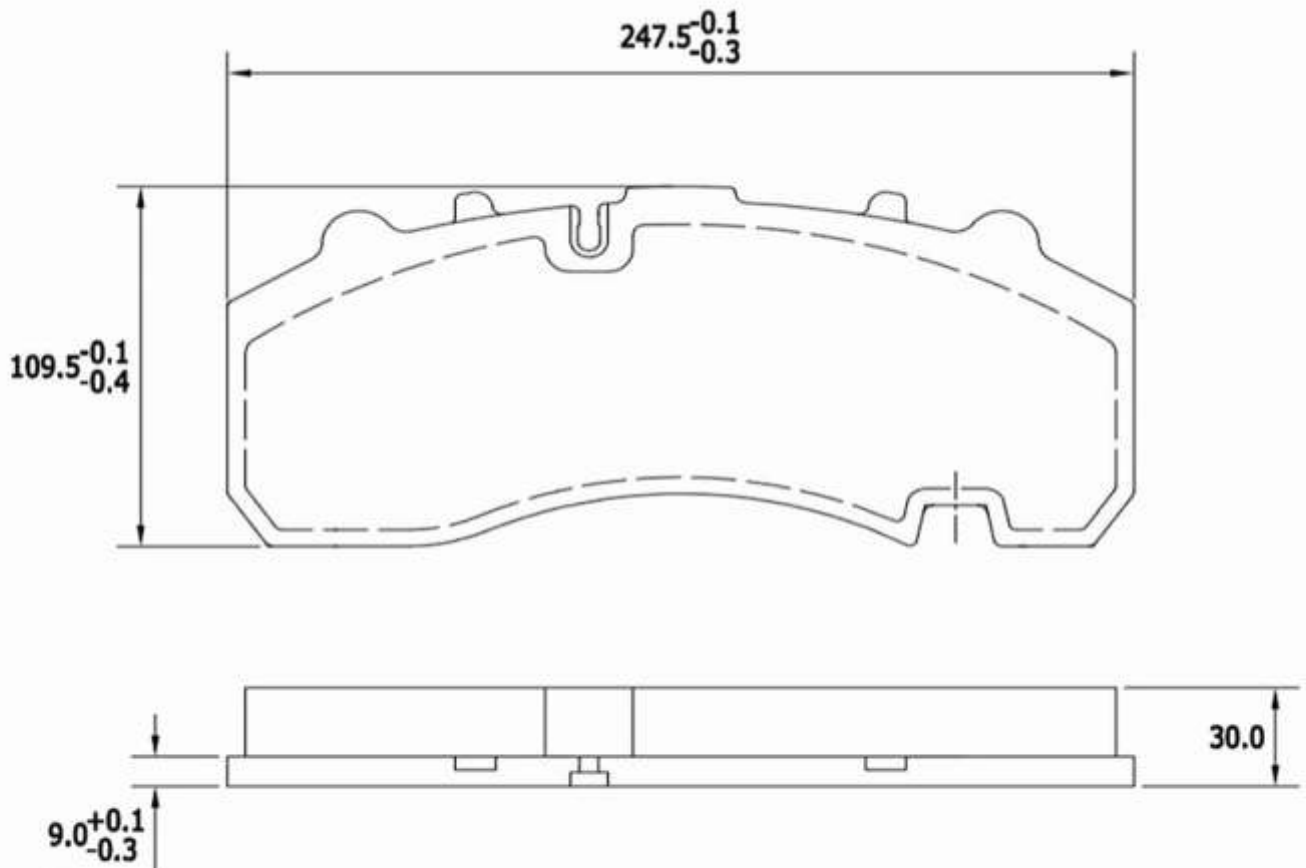
20. Reference Part no:- ABPL-1124 / WVA-29162



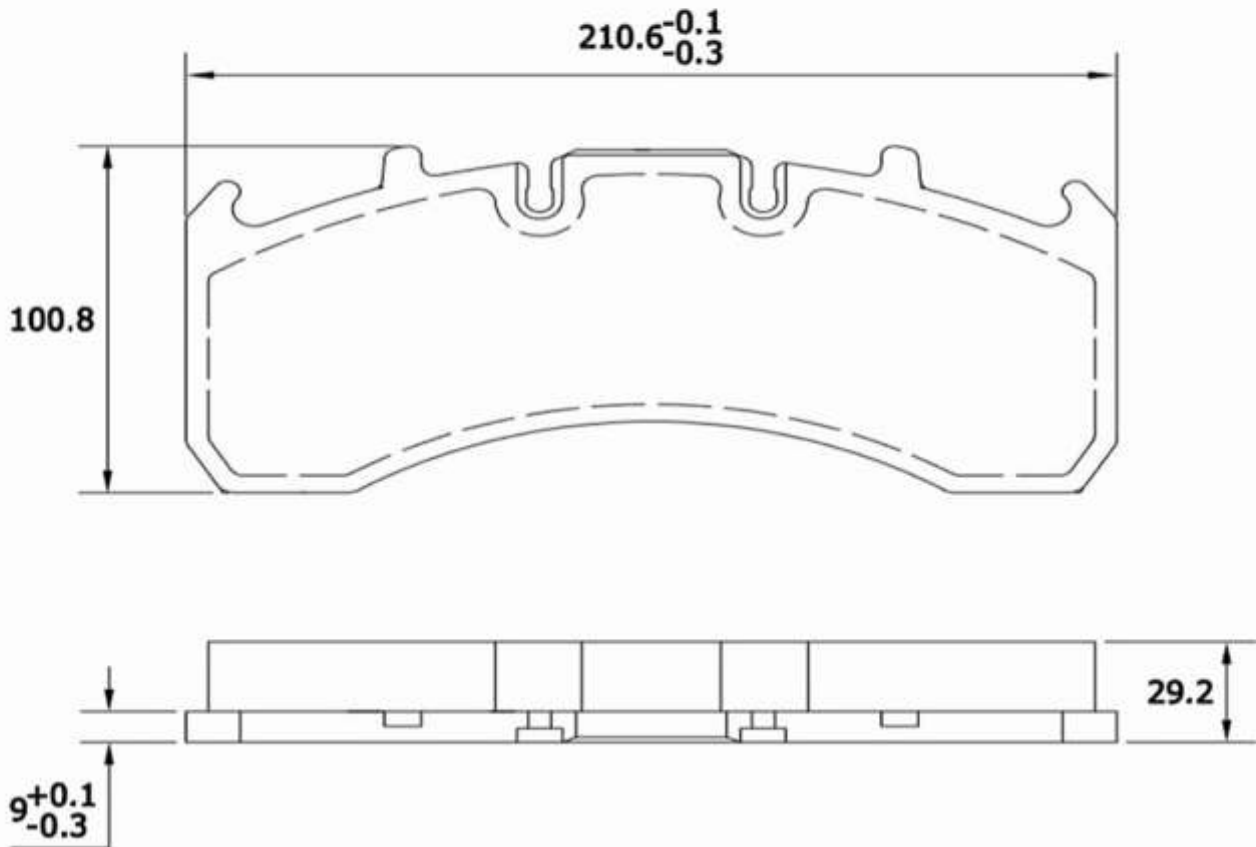
21. Reference Part no:- ABPL-1130 / WVA-29165



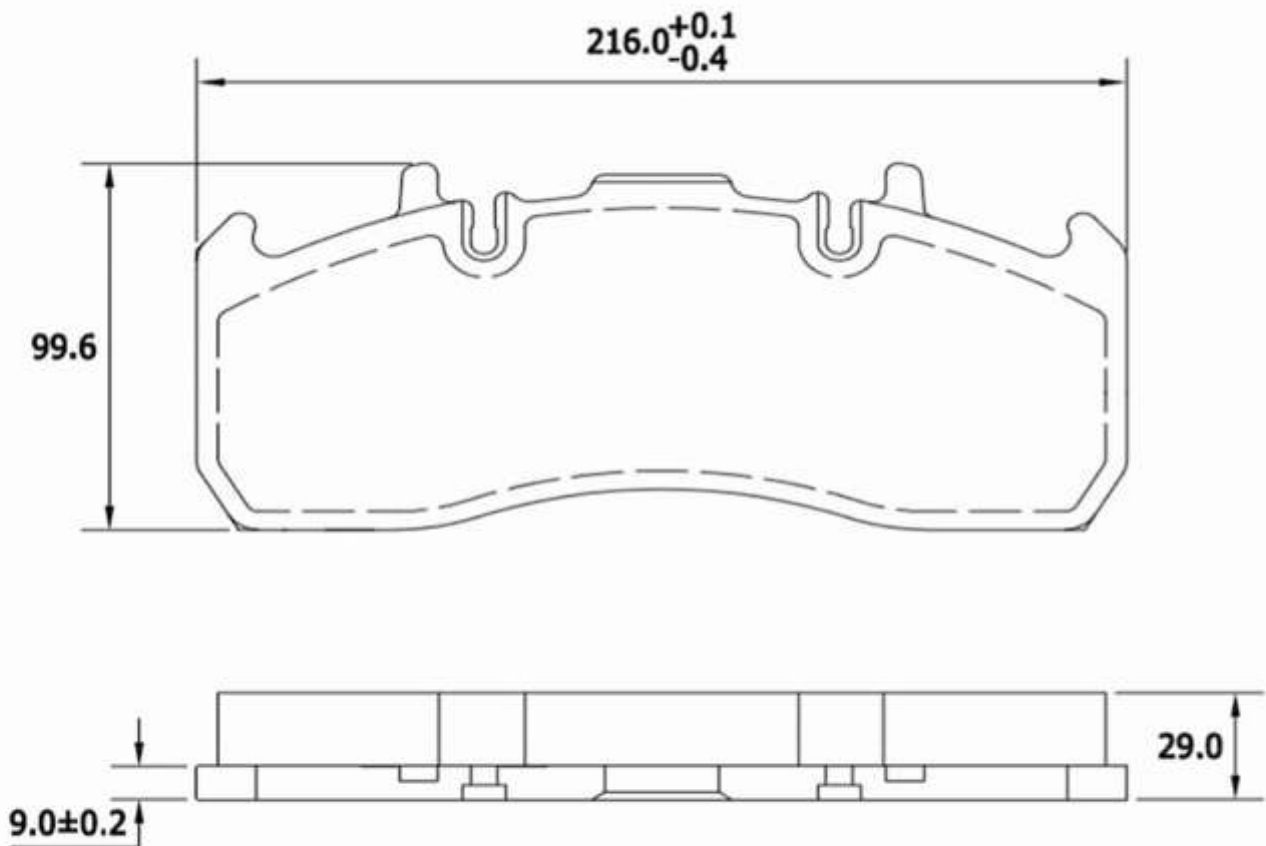
22. Reference Part no:- ABPL-1134 / WVA-29167



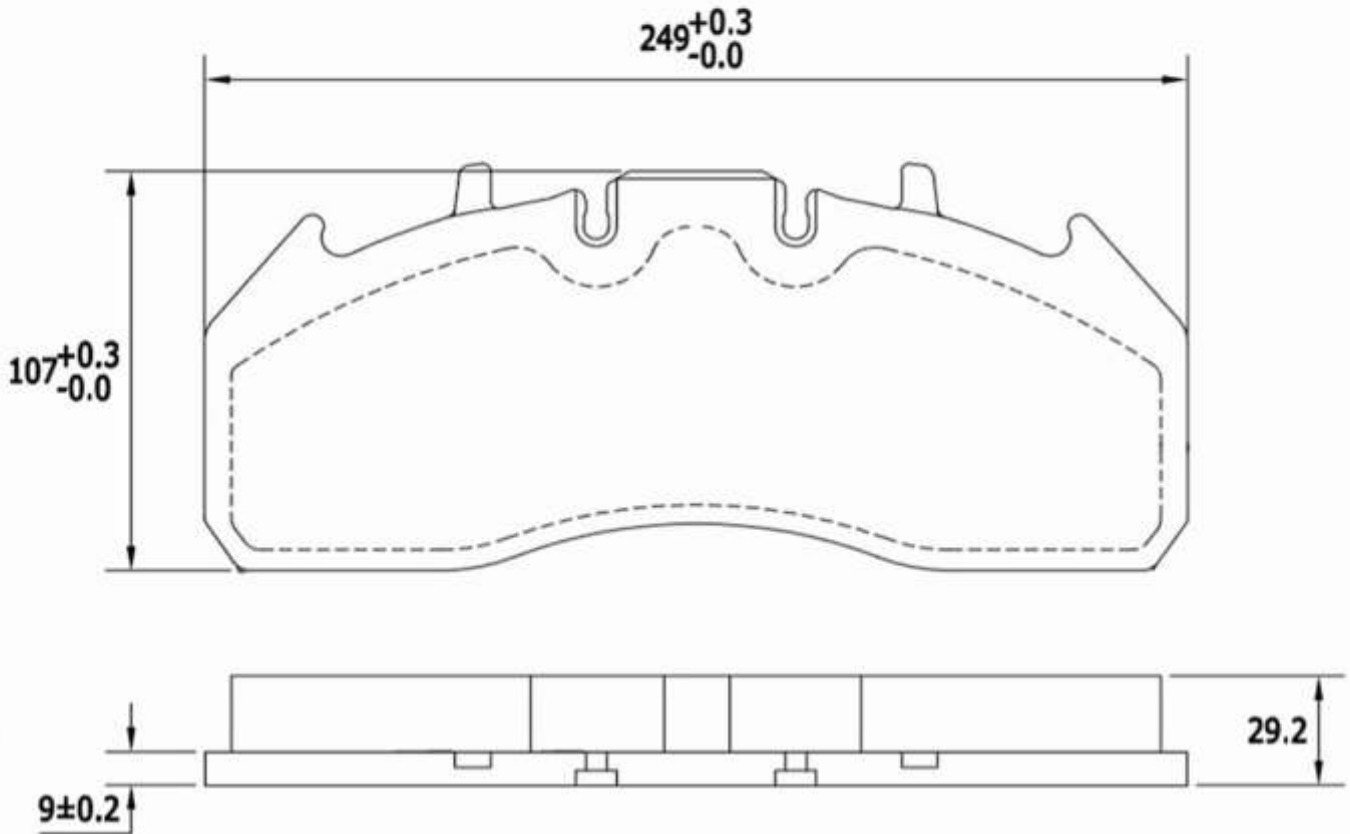
23. Reference Part no:- ABPL-1138 / WVA-29169



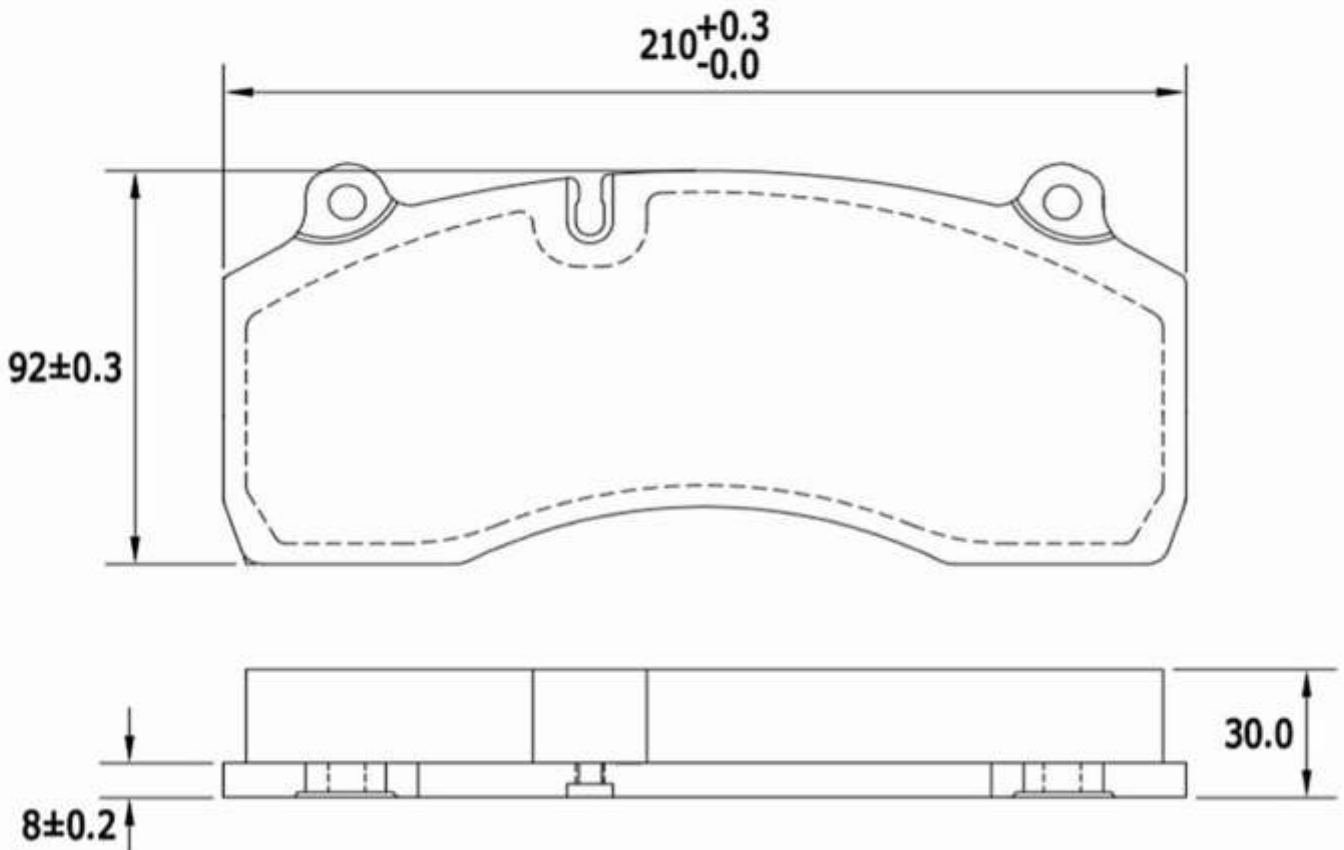
24. Reference Part no:- ABPL-1146 / WVA-29173



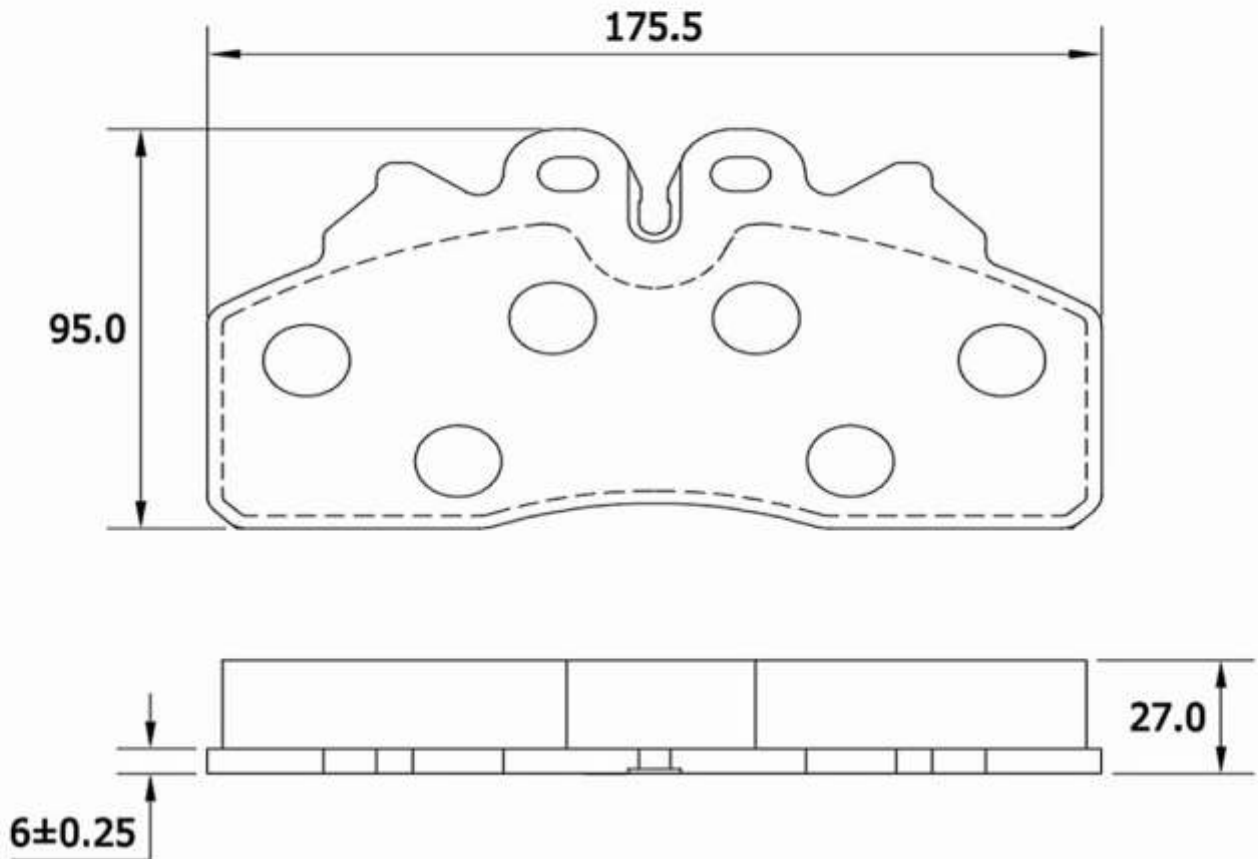
25. Reference Part no:- ABPL-1148 / WV-A29174



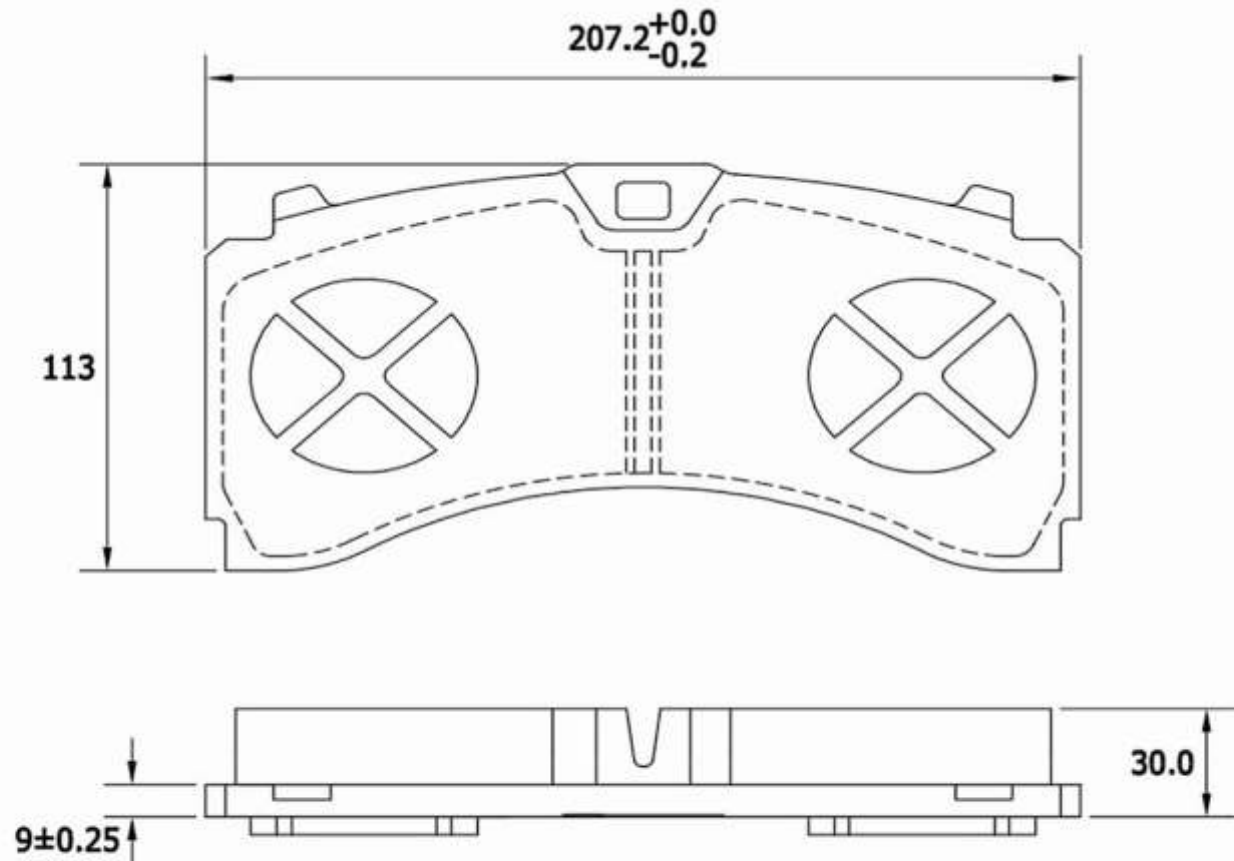
26. Reference Part no:- ABPL-1162 / WVA-29181



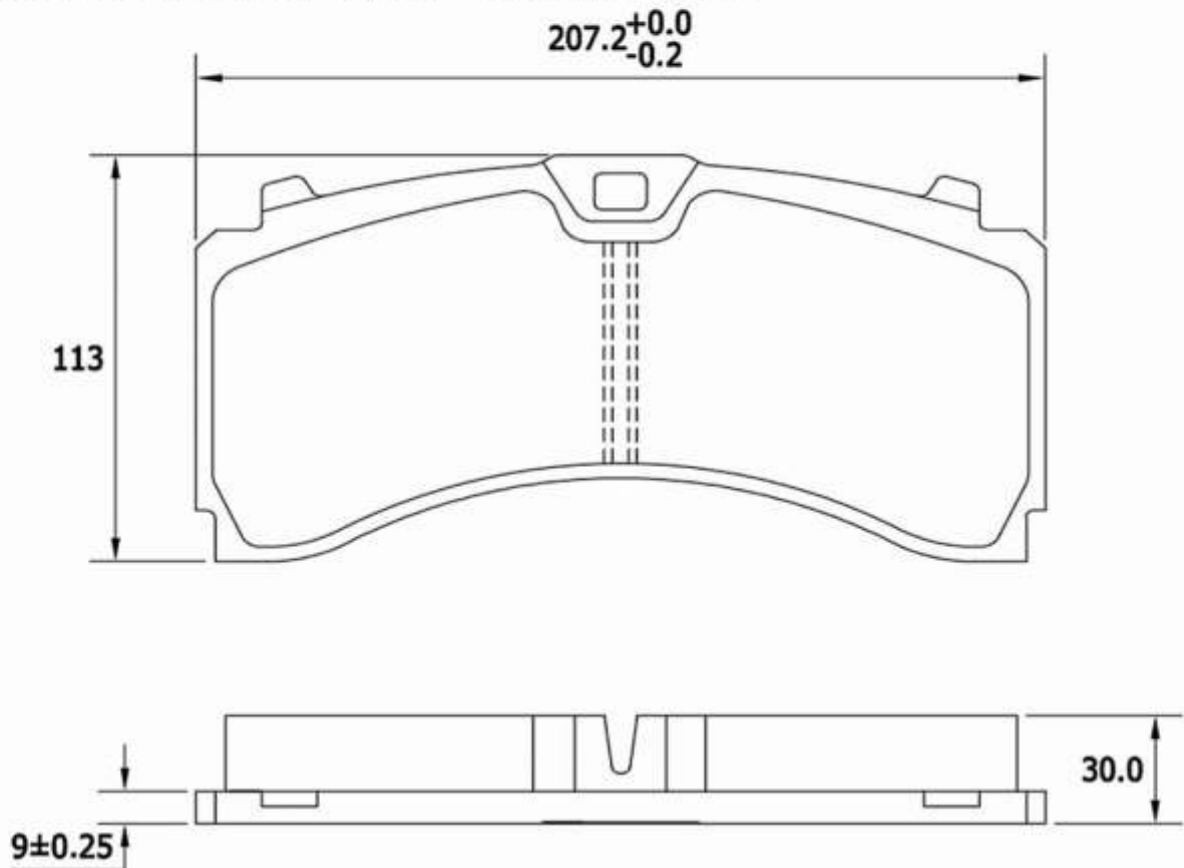
27. Reference Part no:- ABPL-1112 / WVA-29256



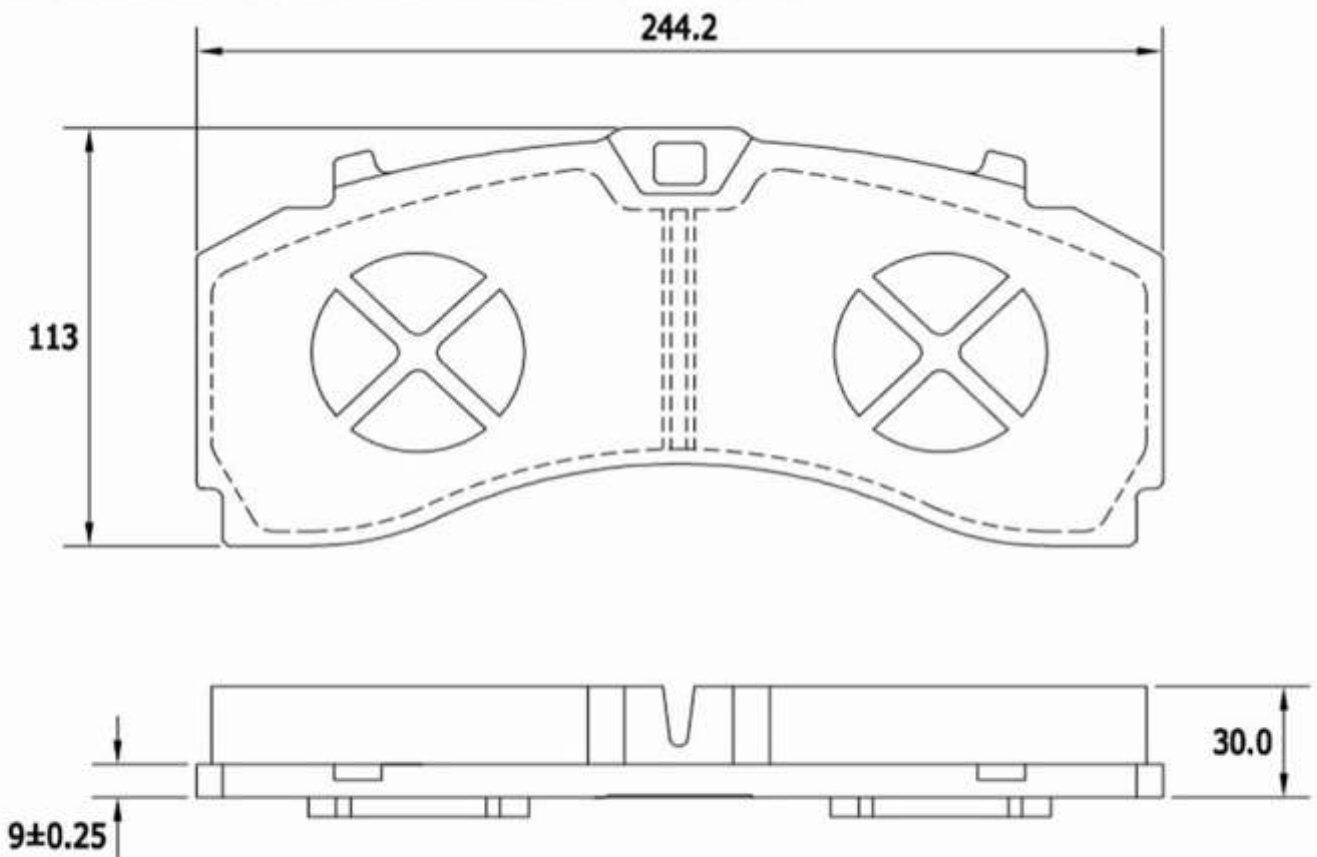
28. Reference Part no:- ABPL-1188 / WVA-29244



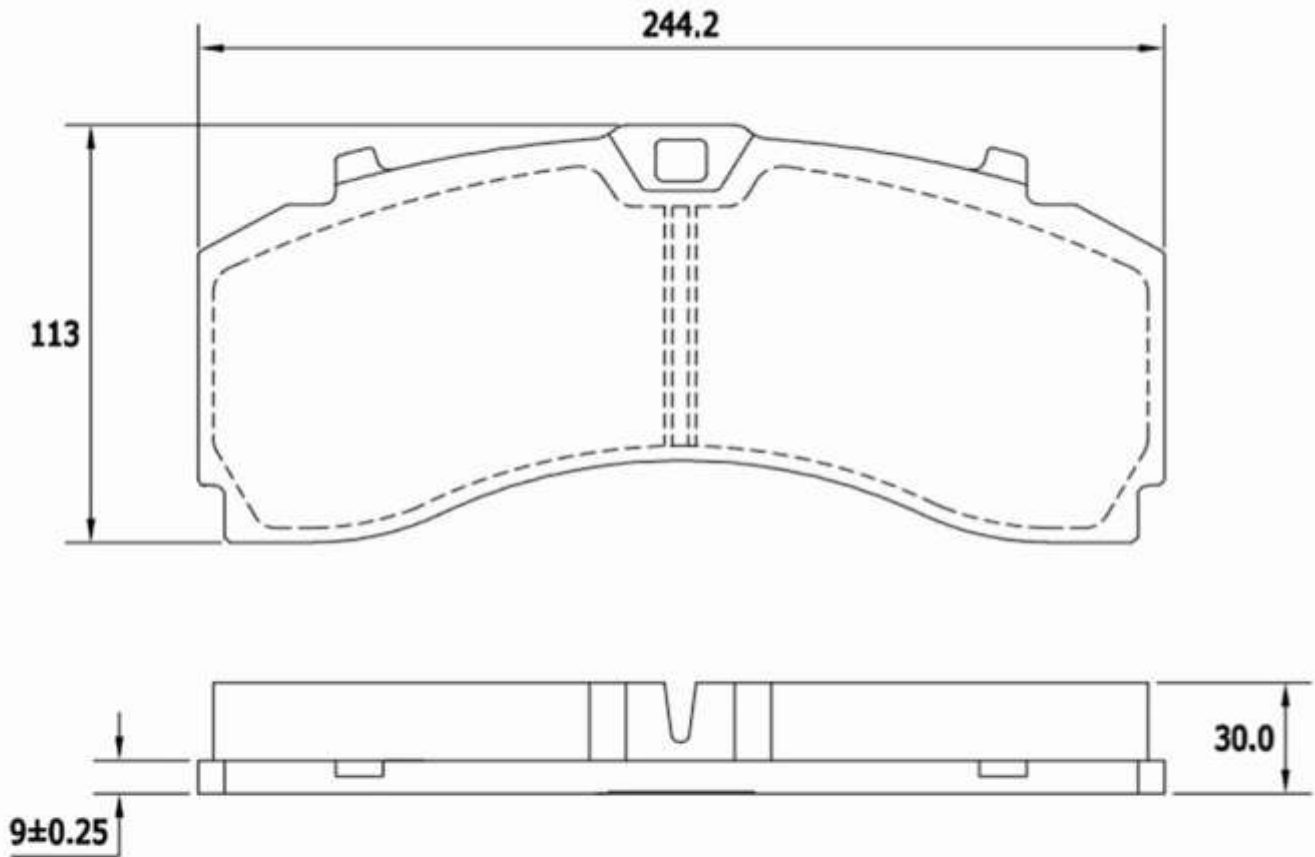
29. Reference Part no:- ABPL-1190 / WVA-29245



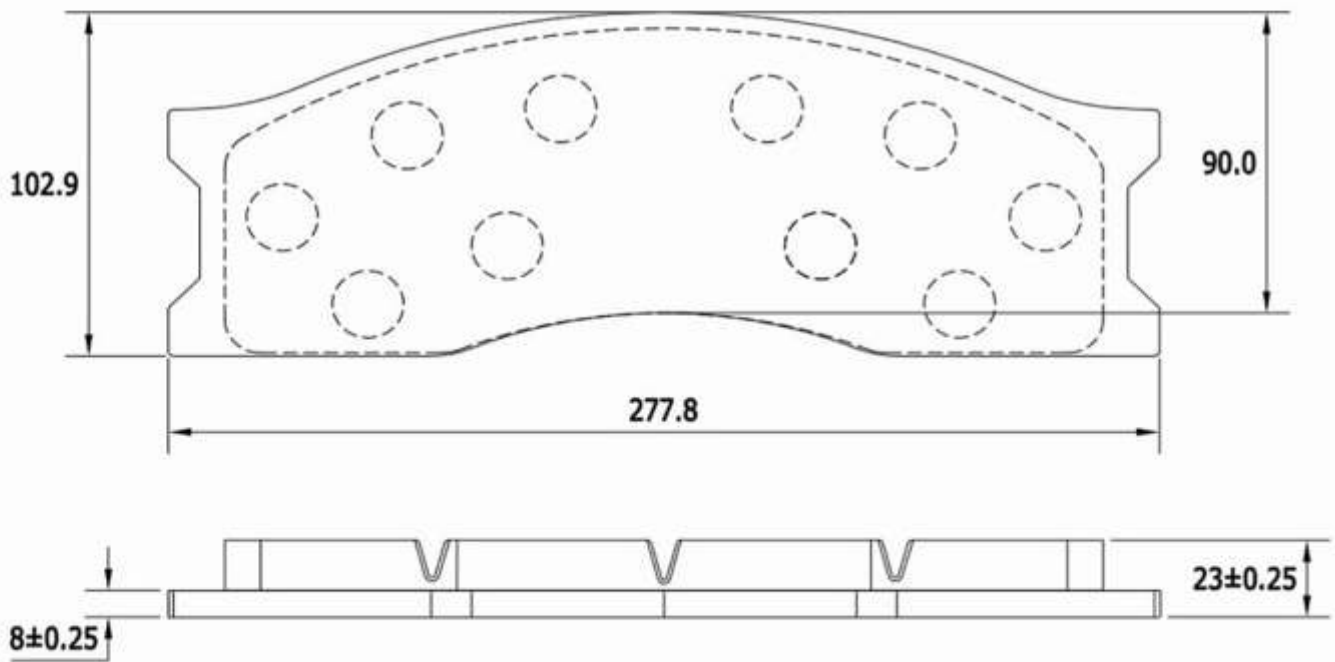
30. Reference Part no:- ABPL-1192 / WVA-29246



31. Reference Part no:- ABPL-1194 / WVA-29247



31. Reference Part no:- ABPL-1288 / DB98





ANSA BRAKES PVT. LTD.



ANSA BRAKES PVT. LTD.

C 20, Phase-II,
Noida, G.B.Nagar,
Uttar Pradesh - 201301
Tel - +91 120 4261844 / 55 / 66
Fax - +91 120 4261866
Email : rgupta@ansabrakesgroup.com
Website : www.ansabrakesgroup.com

